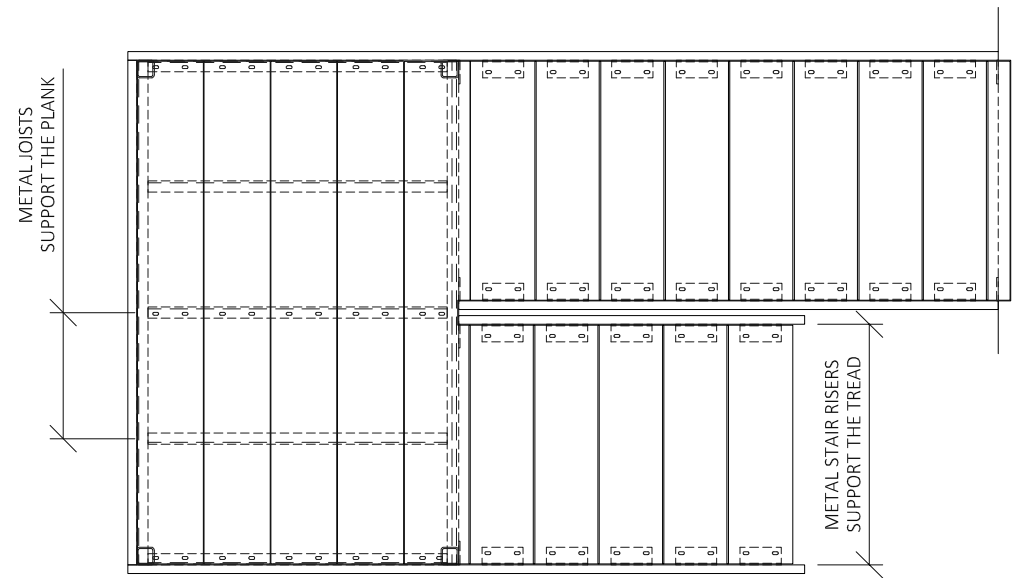


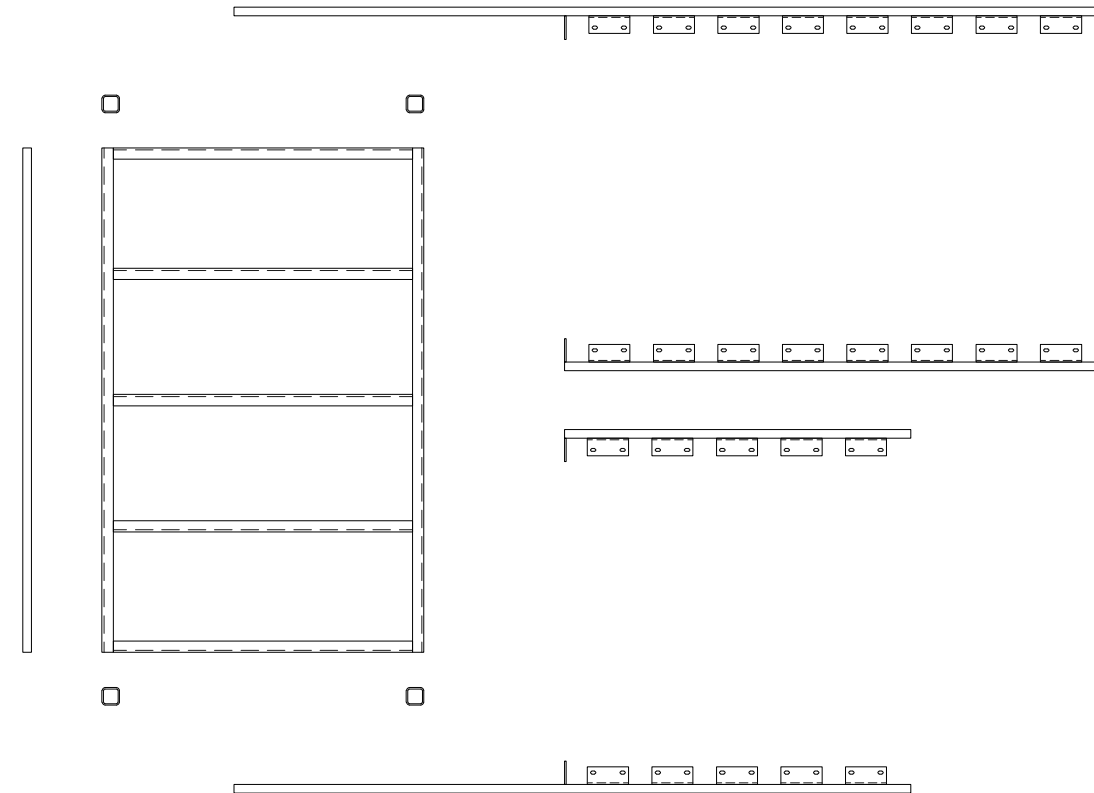
# ON-SITE BOLT TOGETHER METAL FRAME, COMBUSTIBLE MATERIAL ALLOWED DESIGN, PERMA-TREAD EXPOSED TO FLAME INTERIOR / EXTERIOR, METAL FRAMED, OPEN RISERS, STAIR TREADS ARE PERMA-TREAD (PT)

STRINGERS: METAL  
 TREADS: PT 412 FREE SPAN  
 RISERS: OPEN RISER  
 LANDING/PLATFORM: PT 212 AS PLANK, SPAN SUPPORTED BY METAL JOIST

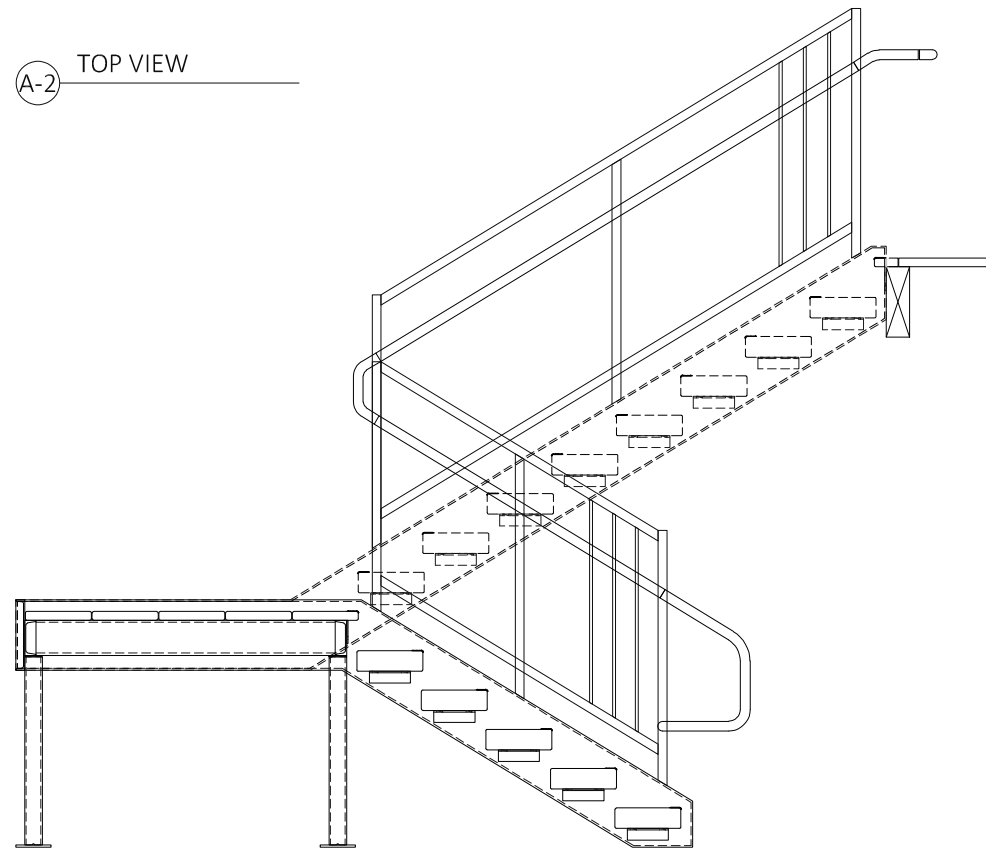
\* MUST REVIEW BUILDING TYPE FOR ACCEPTABLE STAIR FRAME CONSTRUCTION  
 \* MUST ENGINEER CONNECTIONS, STAIR FRAME, METAL PANS, LANDING FRAME TO MEET LOAD REQUIREMENTS



A-2 TOP VIEW



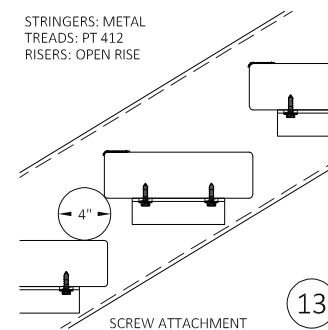
A-3 METAL FRAME BREAK DOWN  
 (RAILS SHOP WELDED TO STRINGERS OPTIONAL)



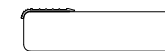
A-1 ELEVATION VIEW

ASTM E648 TYPE 1, ASTM E84 CLASS B FIRE RATING  
 (PERMA-TREAD EXPOSED TO FLAME)

DETAIL 13 WHERE STAIR STRUCTURE PERMITTED TO BE CONSTRUCTED WITH COMBUSTIBLE MATERIAL



METAL STAIR NOSINGS  
 NON-SLIP CONTRASTING STRIPE  
 MFG.: SAFE-T-NOSE  
 PART #: STNR



ADHESIVE ATTACHMENT  
 AND/OR  
 SCREW ATTACHMENT

A-A

**PERMA-TREAD™**

(971) 772-4553 | sales@nationalstair.com | www.nationalstair.com

BOLT TOGETHER METAL STAIR  
 PERMA-TREAD OPEN RISERS

0

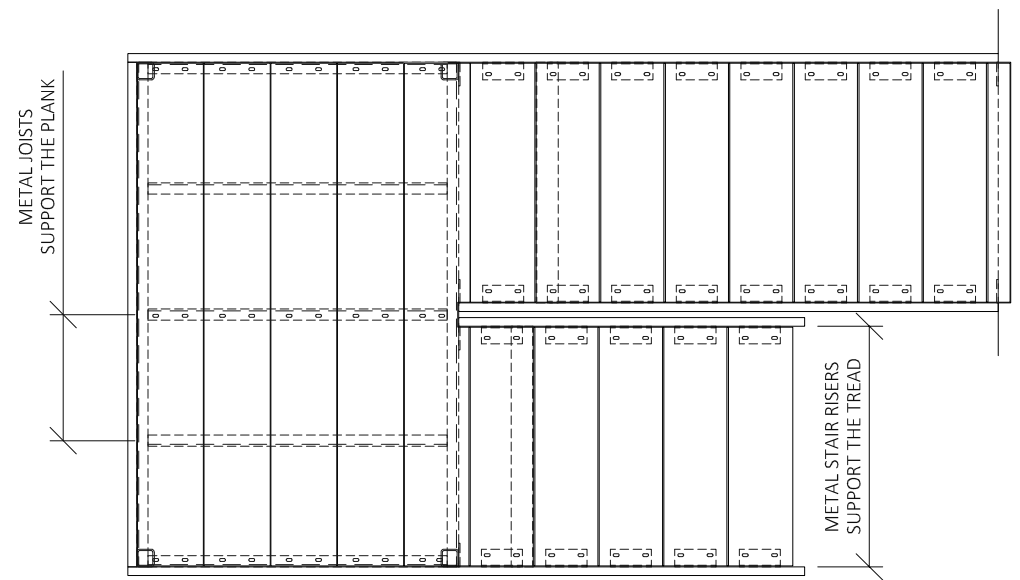
SCALE: N.T.S.

DWG #: PT-3.7

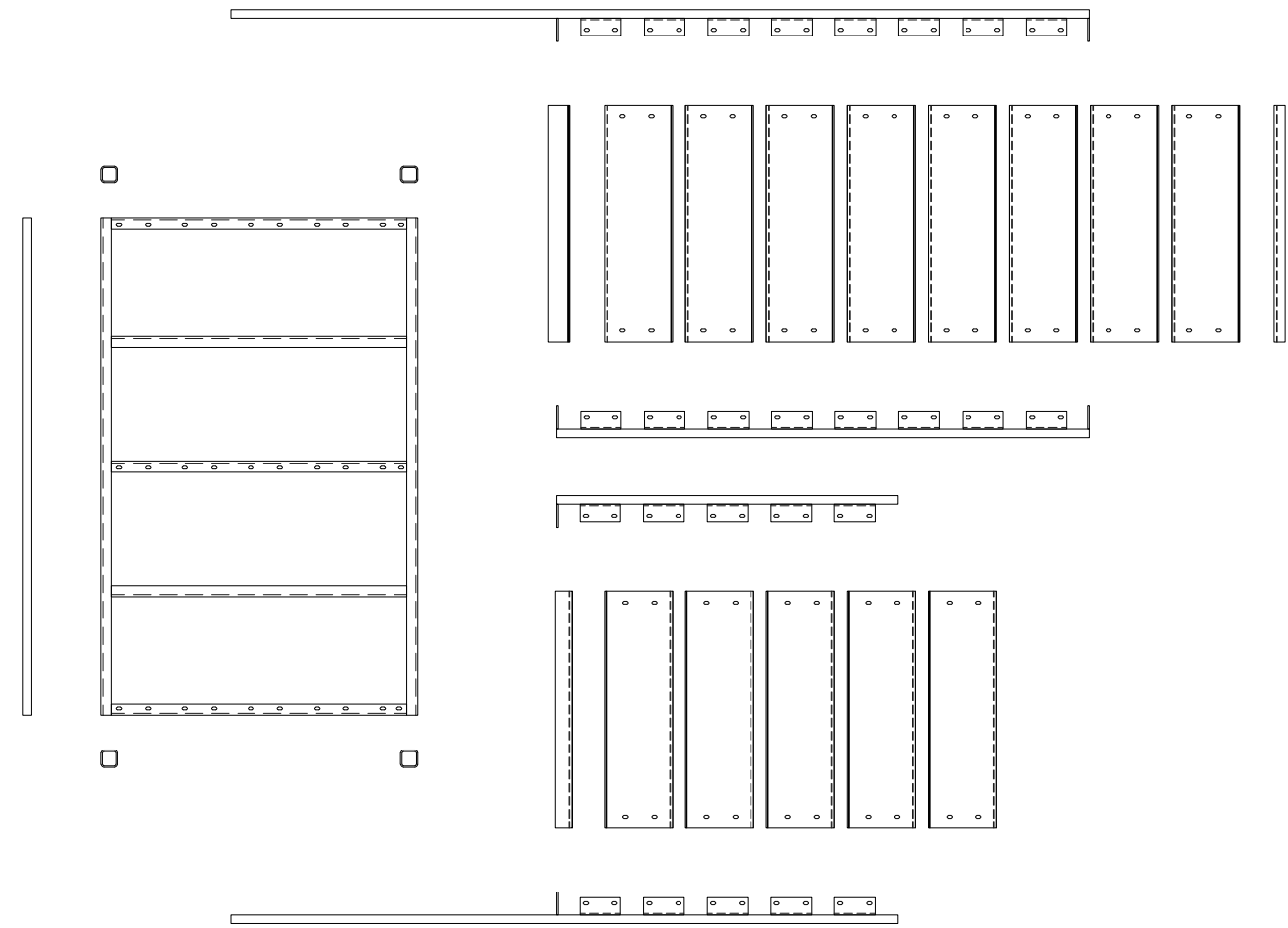
# ON-SITE BOLT TOGETHER METAL FRAME, COMBUSTIBLE MATERIAL ALLOWED DESIGN, PERMA-TREAD EXPOSED TO FLAME INTERIOR / EXTERIOR, METAL FRAMED, METAL SUPPORT OPEN RISERS, STAIR TREADS ARE PERMA-TREAD (PT)

STRINGERS: METAL  
 TREADS: PT 212 OR 312 SUPPORTED BY METAL PLATE RISER  
 RISERS: METAL PLATE CLOSES THE RISERS  
 LANDING/PLATFORM: PT 212 AS PLANK, SPAN SUPPORTED BY METAL JOIST

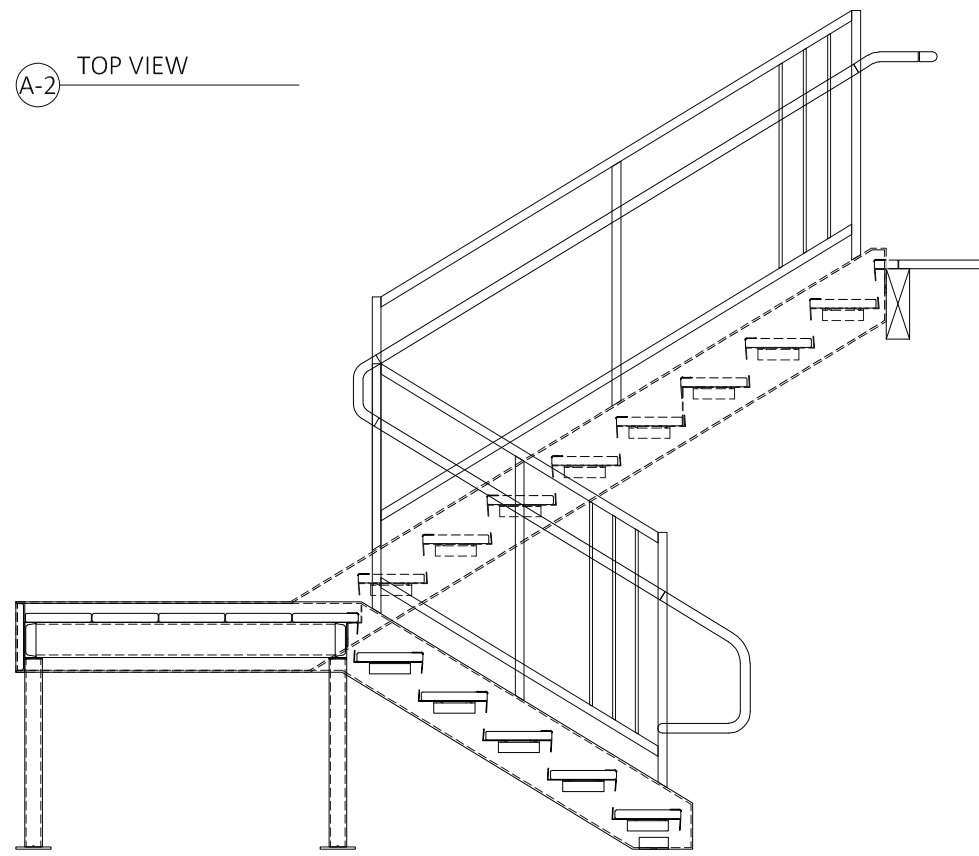
\* MUST REVIEW BUILDING TYPE FOR ACCEPTABLE STAIR FRAME CONSTRUCTION  
 \* MUST ENGINEER CONNECTIONS, STAIR FRAME, METAL PANS, LANDING FRAME TO MEET LOAD REQUIREMENTS



A-2 TOP VIEW



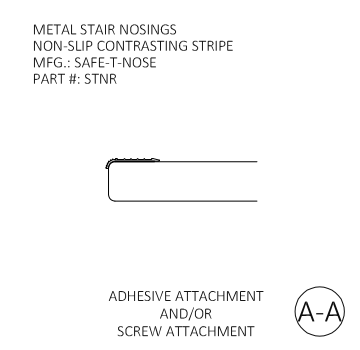
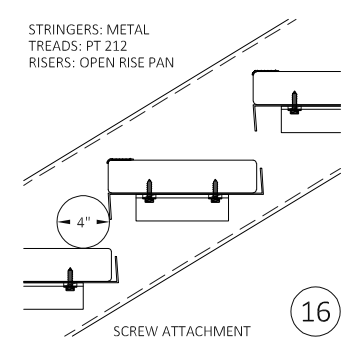
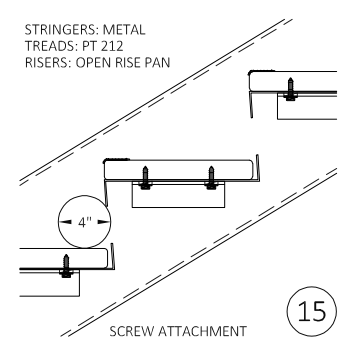
A-3 METAL FRAME BREAK DOWN  
 (RAILS SHOP WELDED TO STRINGERS OPTIONAL)



A-1 ELEVATION VIEW

ASTM E648 TYPE 1, ASTM E84 CLASS B FIRE RATING  
 (PERMA-TREAD EXPOSED TO FLAME)

DETAIL 15-16 WHERE STAIR STRUCTURE PERMITTED TO BE CONSTRUCTED WITH COMBUSTIBLE MATERIAL



**PERMA-TREAD™**

(971) 772-4553 | sales@nationalstair.com | www.nationalstair.com

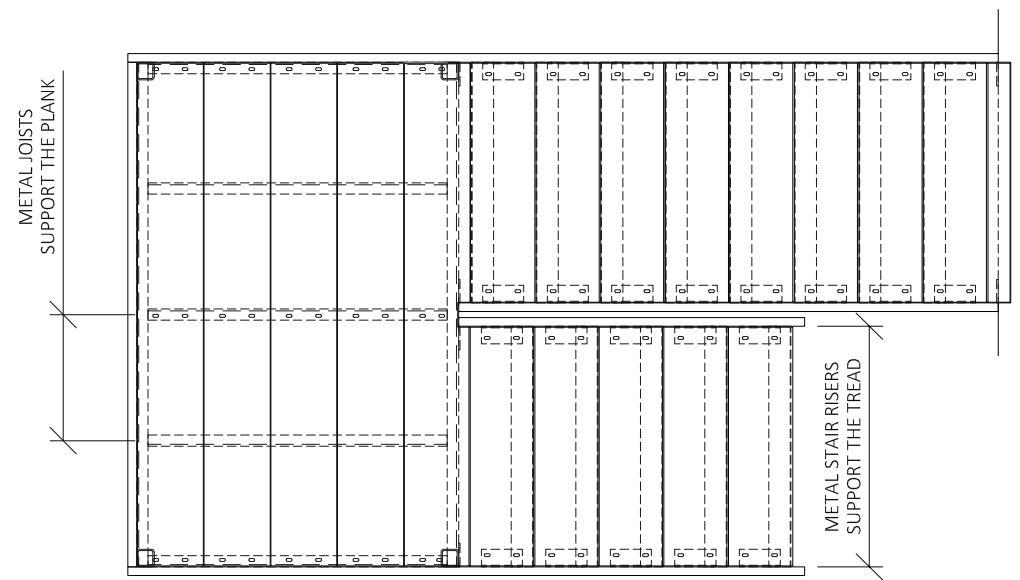
**BOLT TOGETHER METAL STAIR  
 METAL PAN OPEN RISERS**

0	SCALE: N.T.S.	DWG #: PT-3.8
---	---------------	---------------

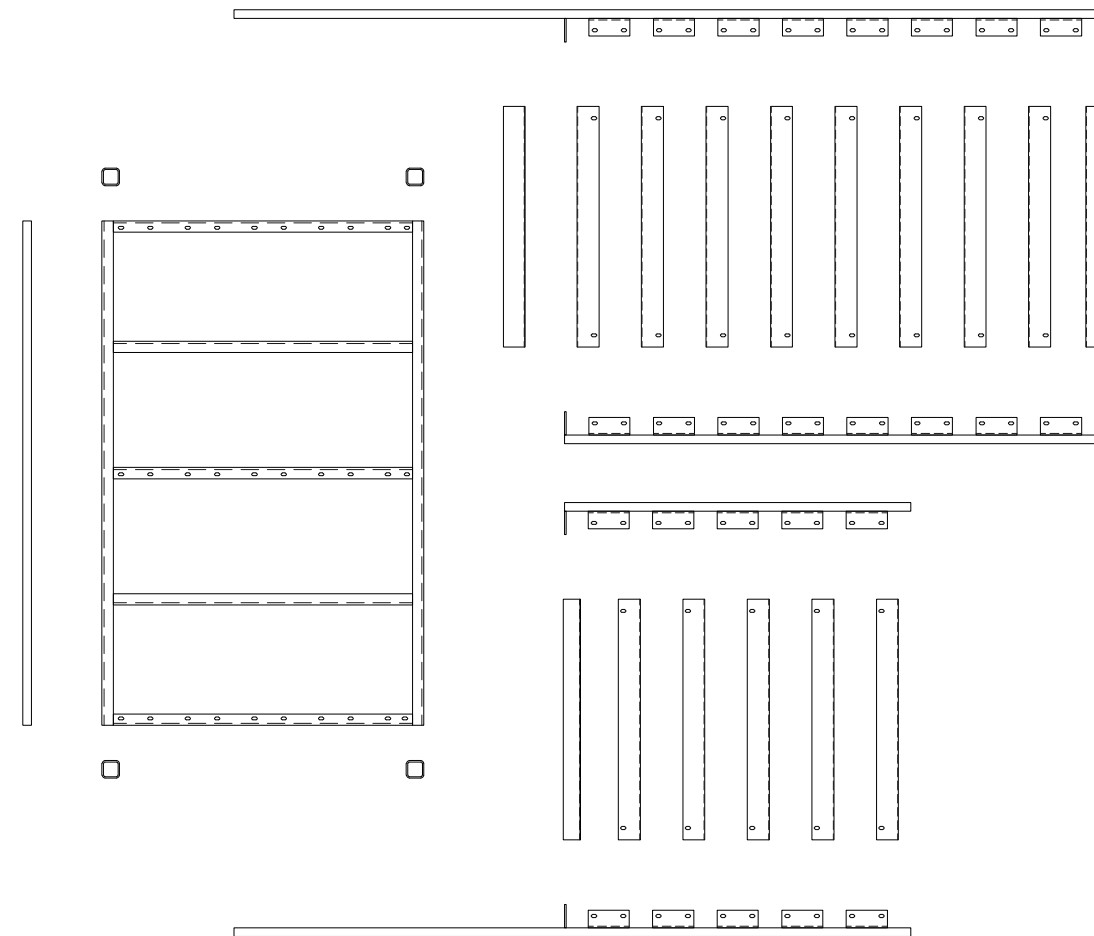
# ON-SITE BOLT TOGETHER METAL FRAME, COMBUSTIBLE MATERIAL ALLOWED DESIGN, PERMA-TREAD EXPOSED TO FLAME INTERIOR / EXTERIOR, METAL FRAMED, METAL SUPPORT OPEN RISERS, STAIR TREADS ARE PERMA-TREAD (PT)

STRINGERS: METAL  
 TREADS: PT 212 OR 312 SUPPORTED BY METAL PLATE RISER  
 RISERS: METAL PLATE CLOSES THE RISERS  
 LANDING/PLATFORM: PT 212 AS PLANK, SPAN SUPPORTED BY METAL JOIST

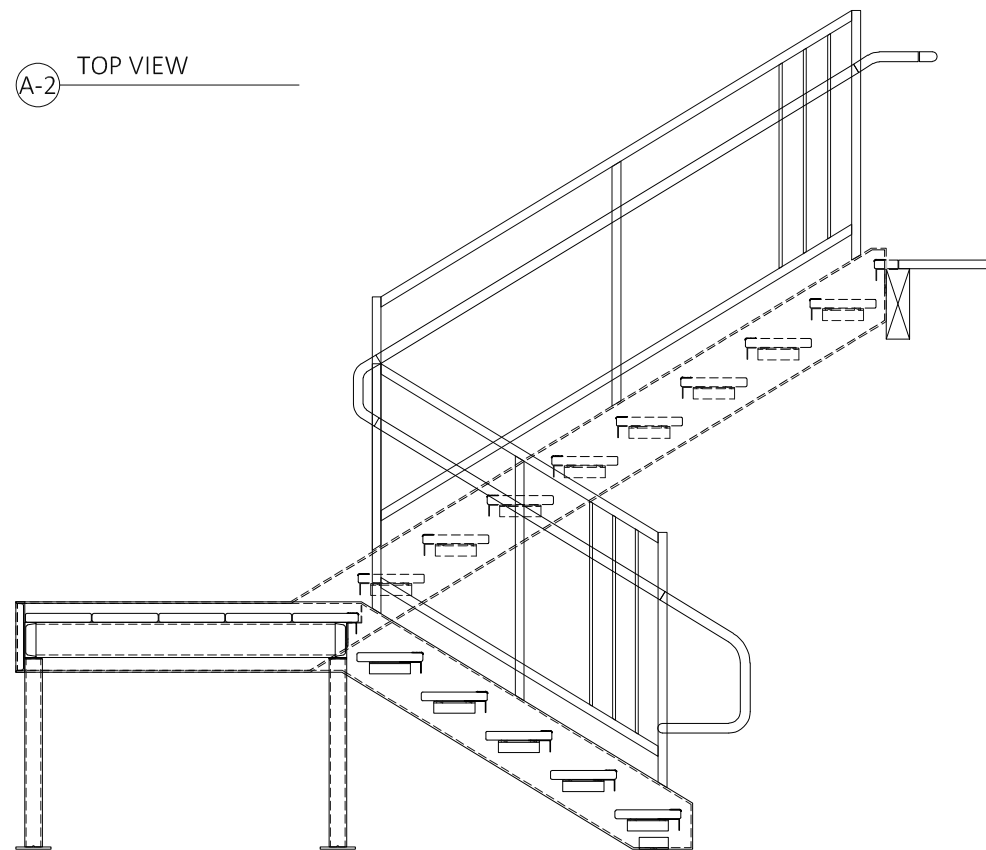
\* MUST REVIEW BUILDING TYPE FOR ACCEPTABLE STAIR FRAME CONSTRUCTION  
 \* MUST ENGINEER CONNECTIONS, STAIR FRAME, METAL PANS, LANDING FRAME TO MEET LOAD REQUIREMENTS



A-2 TOP VIEW



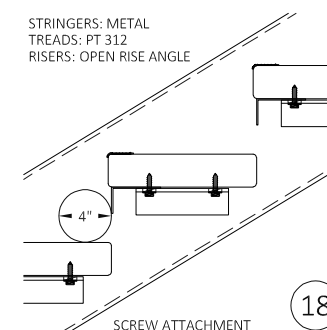
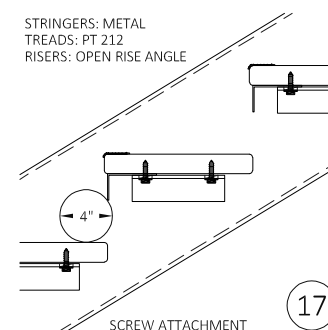
A-3 METAL FRAME BREAK DOWN  
 (RAILS SHOP WELDED TO STRINGERS OPTIONAL)



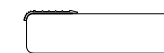
A-1 ELEVATION VIEW

ASTM E648 TYPE 1, ASTM E84 CLASS B FIRE RATING  
 (PERMA-TREAD EXPOSED TO FLAME)

DETAIL 17-18 WHERE STAIR STRUCTURE PERMITTED TO BE CONSTRUCTED WITH COMBUSTIBLE MATERIAL



METAL STAIR NOSINGS  
 NON-SLIP CONTRASTING STRIPE  
 MFG.: SAFE-T-NOSE  
 PART #: STNR



ADHESIVE ATTACHMENT AND/OR SCREW ATTACHMENT A-A

**PERMA-TREAD™**

(971) 772-4553 | sales@nationalstair.com | www.nationalstair.com

BOLT TOGETHER METAL STAIR  
 METAL PLATE OPEN RISERS

0

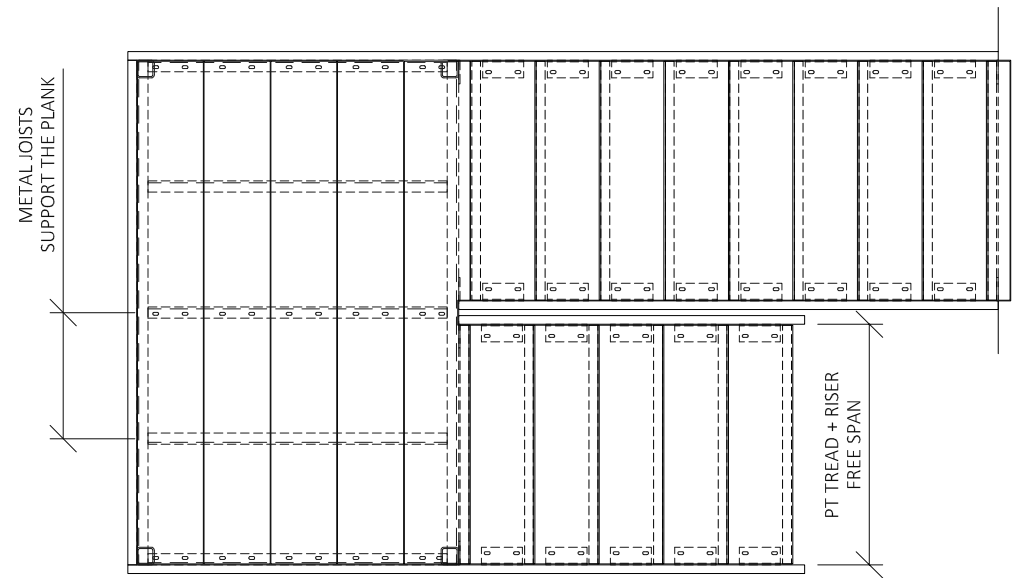
SCALE: N.T.S.

DWG #: PT-3.9

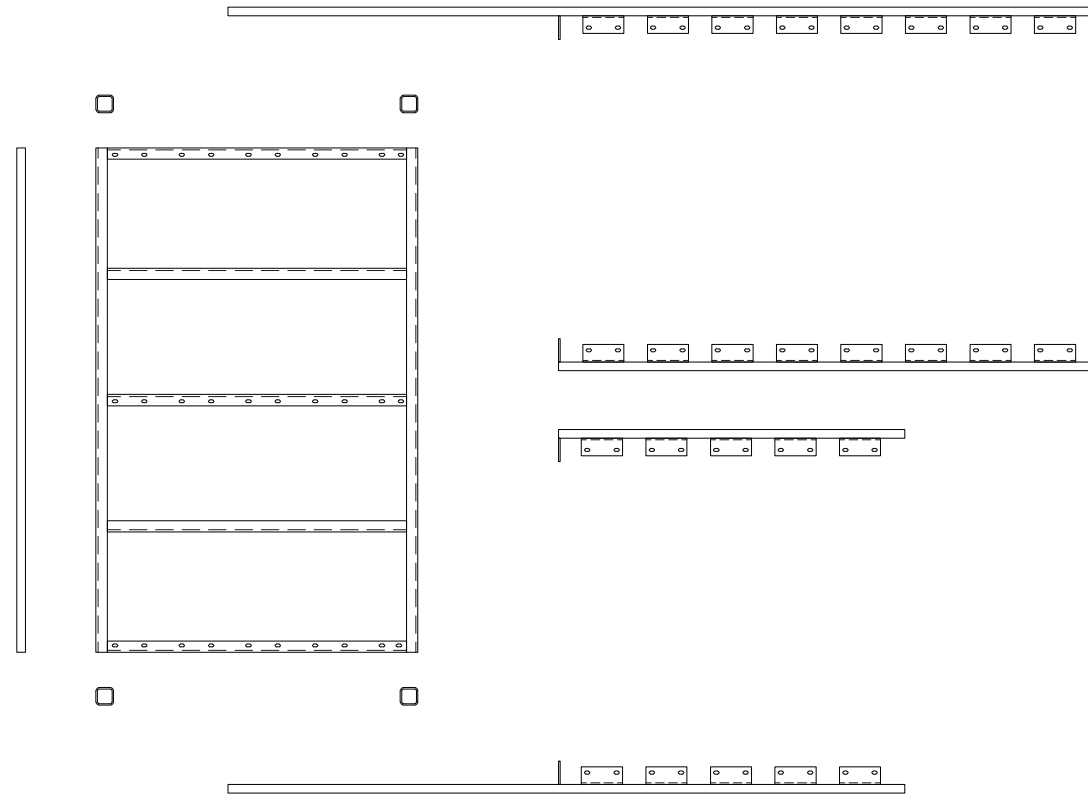
# ON-SITE BOLT TOGETHER METAL FRAME, COMBUSTIBLE MATERIAL ALLOWED DESIGN INTERIOR / EXTERIOR, METAL FRAMED, PERMA-TREAD OPEN RISERS, STAIR TREADS ARE PERMA-TREAD (PT)

STRINGERS: METAL  
TREADS: PT 212 OR 312 SUPPORTED BY PERMA-TREAD RISER  
RISERS: PERMA-TREAD CLOSES THE RISERS  
LANDING/PLATFORM: PT 212 AS PLANK, SPAN SUPPORTED BY METAL JOIST

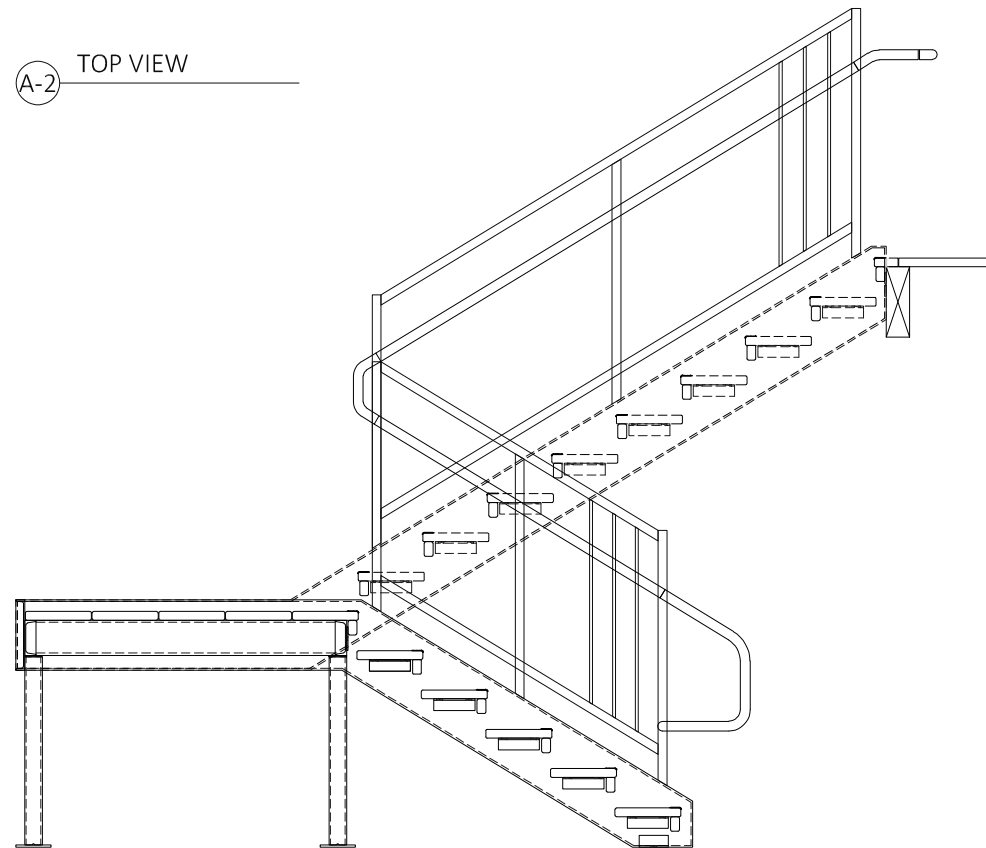
\* MUST REVIEW BUILDING TYPE FOR ACCEPTABLE STAIR FRAME CONSTRUCTION  
\* MUST ENGINEER CONNECTIONS, STAIR FRAME, LANDING FRAME TO MEET LOAD REQUIREMENTS



A-2 TOP VIEW



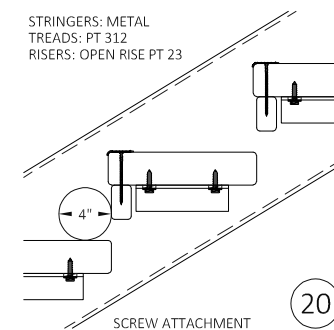
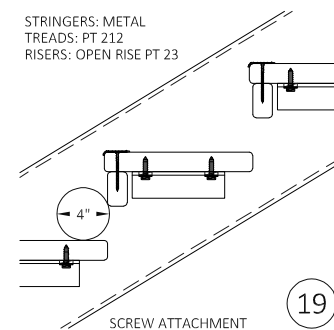
A-3 METAL FRAME BREAK DOWN  
(RAILS SHOP WELDED TO STRINGERS OPTIONAL)



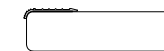
A-1 ELEVATION VIEW

ASTM E648 TYPE 1, ASTM E84 CLASS B FIRE RATING  
(PERMA-TREAD EXPOSED TO FLAME)

DETAIL 19-20 WHERE STAIR STRUCTURE PERMITTED TO BE CONSTRUCTED WITH COMBUSTIBLE MATERIAL



METAL STAIR NOSINGS  
NON-SLIP CONTRASTING STRIPE  
MFG.: SAFE-T-NOSE  
PART #: STNR



ADHESIVE ATTACHMENT  
AND/OR  
SCREW ATTACHMENT

A-A

**PERMA-TREAD™**

(971) 772-4553 | sales@nationalstair.com | www.nationalstair.com

BOLT TOGETHER METAL STAIR  
PERMA-TREAD OPEN RISERS



SCALE: N.T.S.

DWG #: PT-3.10