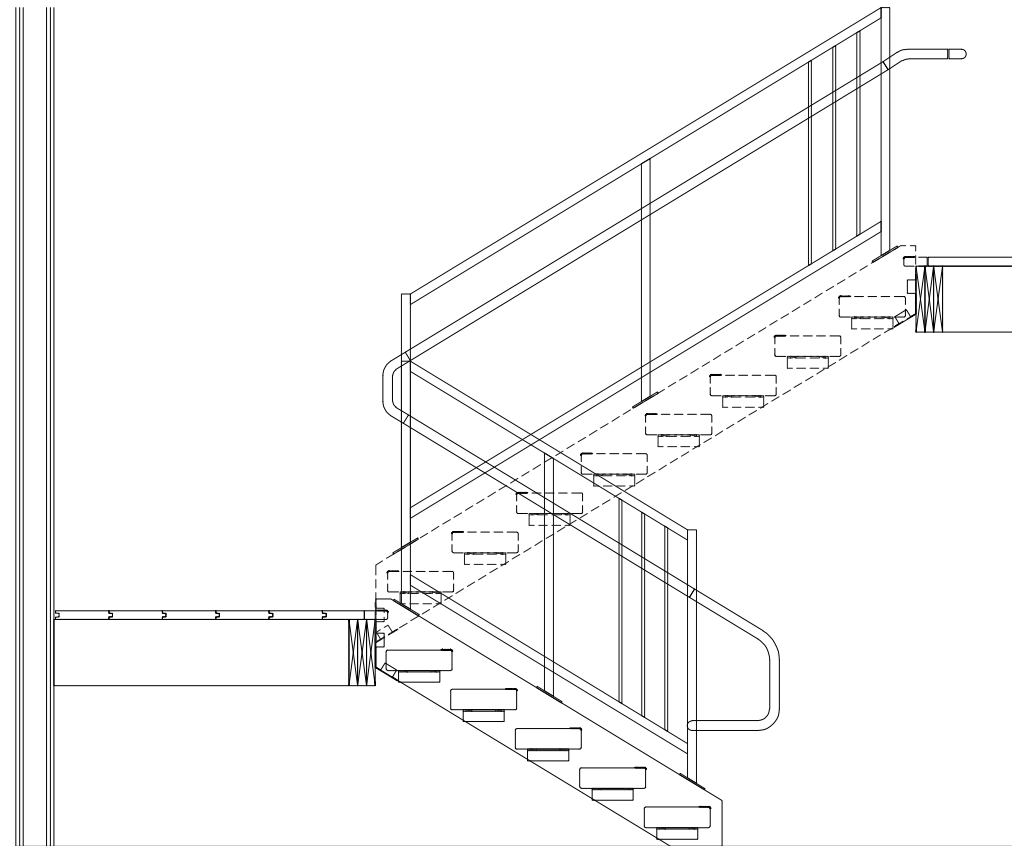


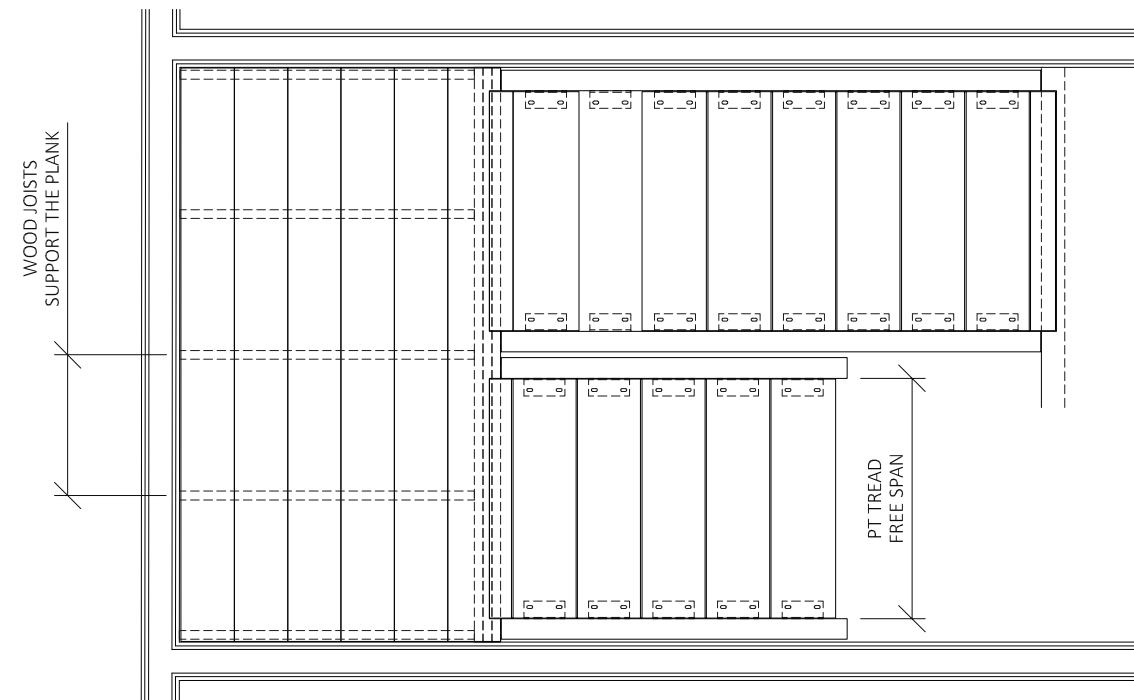
WOOD STAIRS, COMBUSTIBLE MATERIAL ALLOWED DESIGN INTERIOR / EXTERIOR, WOOD FRAMED, OPEN RISERS, STAIR TREADS ARE PERMA-TREAD (PT)

STRINGERS: PERMA-TREAD 412 OR WOOD 4X12
TREADS: PT 412 FREE SPAN
RISERS: OPEN RISER
LANDING/PLATFORM: PERMA-TREAD TG210 OR 212 AS PLANK, SPAN SUPPORTED BY JOIST

* MUST REVIEW BUILDING TYPE FOR ACCEPTABLE STAIR FRAME CONSTRUCTION
* MUST ENGINEER CONNECTIONS, STAIR FRAME, LANDING FRAME TO MEET LOAD REQUIREMENTS



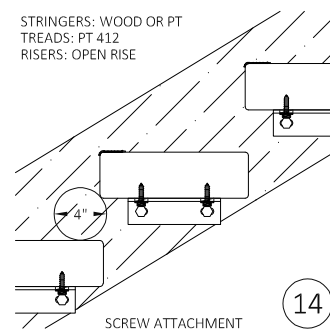
A-1 ELEVATION VIEW



A-2 TOP VIEW

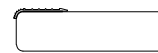
ASTM E648 TYPE 1, ASTM E84 CLASS B FIRE RATING
(PERMA-TREAD EXPOSED TO FLAME)

DETAIL 14 WHERE STAIR STRUCTURE PERMITTED TO BE CONSTRUCTED WITH COMBUSTIBLE MATERIAL



14

METAL STAIR NOSINGS
NON-SLIP CONTRASTING STRIPE
MFG.: SAFE-T-NOSE
PART #: STNR



ADHESIVE ATTACHMENT
AND/OR
SCREW ATTACHMENT

A-A

PERMA-TREAD™

(971) 772-4553 | sales@nationalstair.com | www.nationalstair.com

PERMA-TREAD / WOOD FRAMED STAIR
PERMA-TREAD STRINGERS, RISERS, TREADS



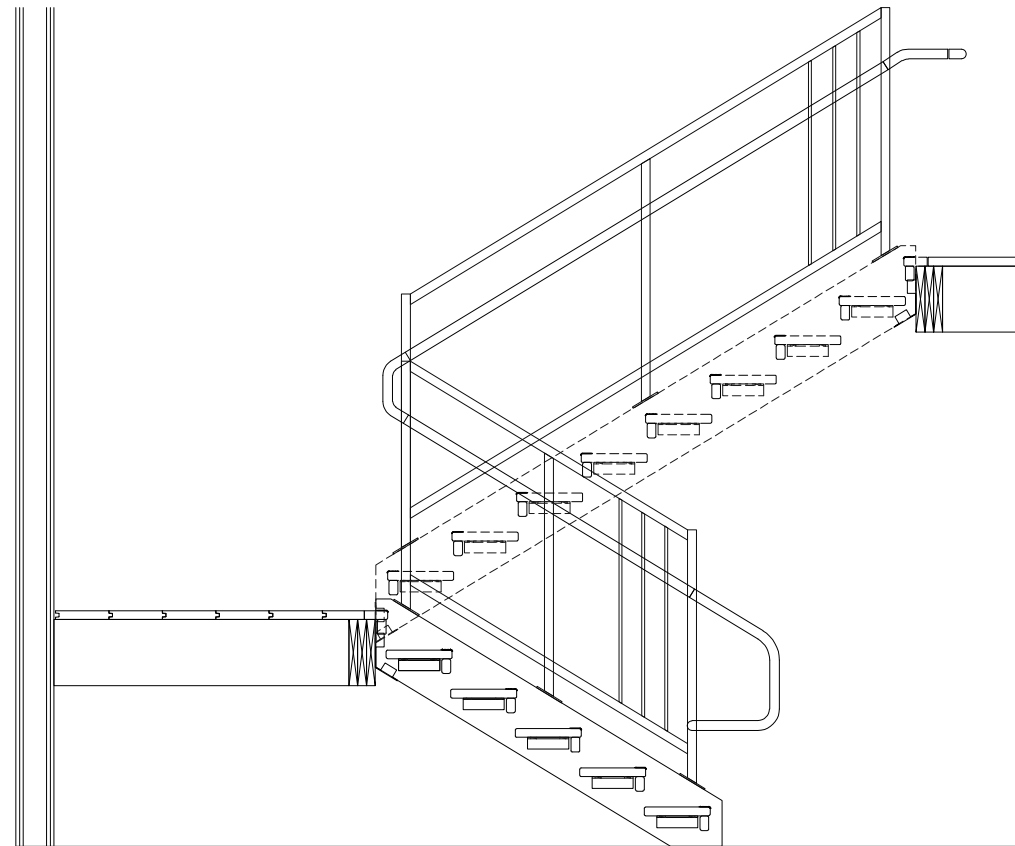
SCALE: N.T.S.

DWG #: PT-3.11

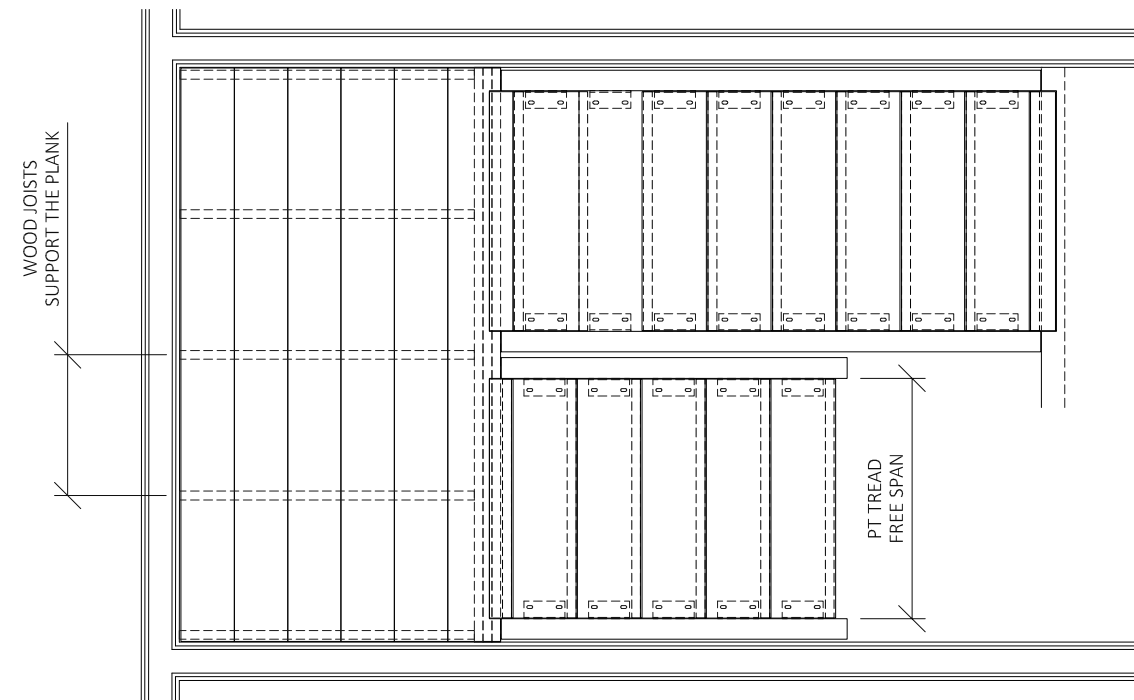
WOOD STAIRS, COMBUSTIBLE MATERIAL ALLOWED DESIGN INTERIOR / EXTERIOR, WOOD FRAMED, PERMA-TREAD OPEN RISERS, STAIR TREADS ARE PERMA-TREAD (PT)

STRINGERS: PERMA-TREAD 412 OR WOOD 4X12
TREADS: PT 412 FREE SPAN
RISERS: OPEN RISER
LANDING/PLATFORM: PERMA-TREAD TG210 OR 212 AS PLANK, SPAN SUPPORTED BY JOIST

* MUST REVIEW BUILDING TYPE FOR ACCEPTABLE STAIR FRAME CONSTRUCTION
* MUST ENGINEER CONNECTIONS, STAIR FRAME, LANDING FRAME TO MEET LOAD REQUIREMENTS



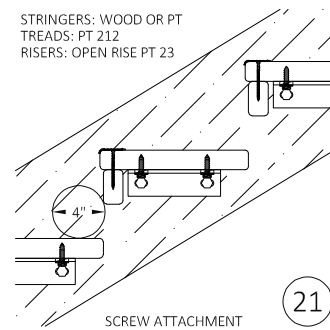
A-1 ELEVATION VIEW



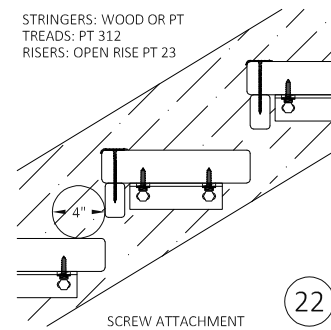
A-2 TOP VIEW

ASTM E648 TYPE 1, ASTM E84 CLASS B FIRE RATING
(PERMA-TREAD EXPOSED TO FLAME)

DETAIL 21-22 WHERE STAIR STRUCTURE PERMITTED TO BE CONSTRUCTED WITH COMBUSTIBLE MATERIAL

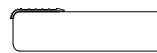


21



22

METAL STAIR NOSINGS
NON-SLIP CONTRASTING STRIPE
MFG.: SAFE-T-NOSE
PART #: STNR



ADHESIVE ATTACHMENT
AND/OR
SCREW ATTACHMENT

A-A

PERMA-TREAD™

(971) 772-4553 | sales@nationalstair.com | www.nationalstair.com

PERMA-TREAD / WOOD FRAMED STAIR
PERMA-TREAD STRINGERS, RISERS, TREADS



SCALE: N.T.S.

DWG #: PT-3.12