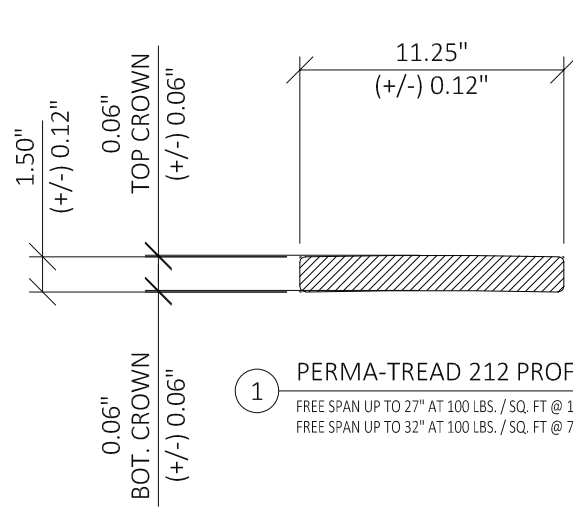
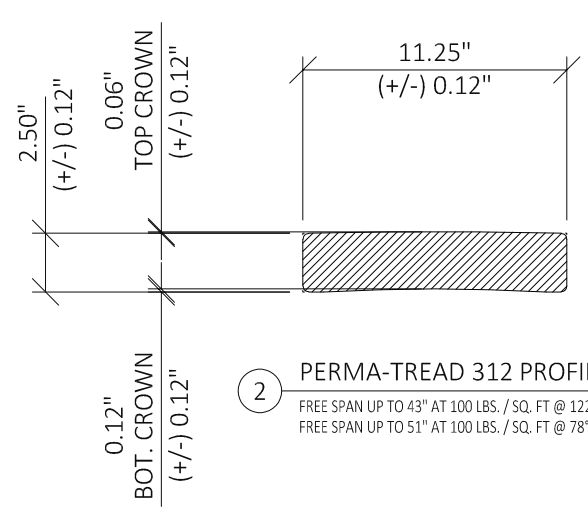


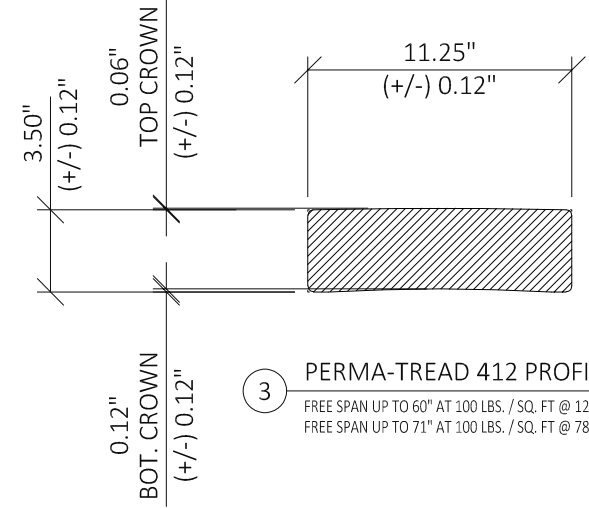
STANDARD STAIR TREADS & LANDING / DECK PLANK



1 PERMA-TREAD 212 PROFILE
FREE SPAN UP TO 27" AT 100 LBS. / SQ. FT @ 122° F
FREE SPAN UP TO 32" AT 100 LBS. / SQ. FT @ 78° F

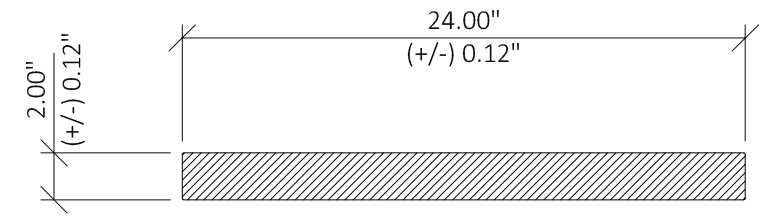


2 PERMA-TREAD 312 PROFILE
FREE SPAN UP TO 43" AT 100 LBS. / SQ. FT @ 122° F
FREE SPAN UP TO 51" AT 100 LBS. / SQ. FT @ 78° F

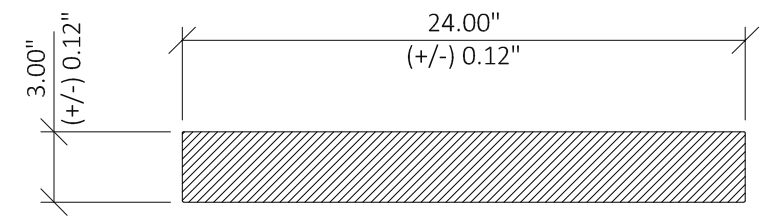


3 PERMA-TREAD 412 PROFILE
FREE SPAN UP TO 60" AT 100 LBS. / SQ. FT @ 122° F
FREE SPAN UP TO 71" AT 100 LBS. / SQ. FT @ 78° F

SPECIAL PROFILE LANDING / DECK PLANK

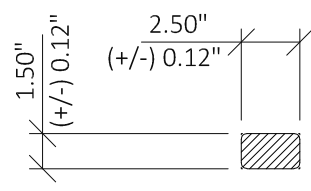


14 PERMA-TREAD 224 PROFILE
FREE SPAN UP TO 27" AT 100 LBS. / SQ. FT @ 122° F
FREE SPAN UP TO 32" AT 100 LBS. / SQ. FT @ 78° F

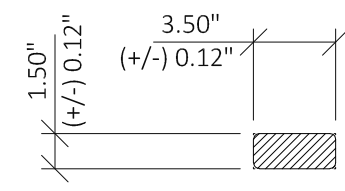


15 PERMA-TREAD 324 PROFILE
FREE SPAN UP TO 43" AT 100 LBS. / SQ. FT @ 122° F
FREE SPAN UP TO 51" AT 100 LBS. / SQ. FT @ 78° F

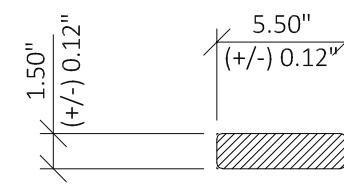
ADDITIONAL RISER, LANDING / DECK PLANK



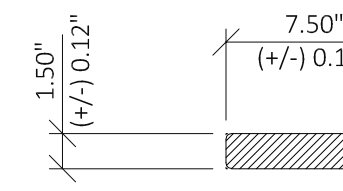
4 PERMA-TREAD 23 PROFILE
FREE SPAN UP TO 27" AT 100 LBS. / SQ. FT @ 122° F
FREE SPAN UP TO 32" AT 100 LBS. / SQ. FT @ 78° F



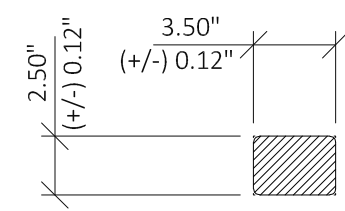
5 PERMA-TREAD 24 PROFILE
FREE SPAN UP TO 27" AT 100 LBS. / SQ. FT @ 122° F
FREE SPAN UP TO 32" AT 100 LBS. / SQ. FT @ 78° F



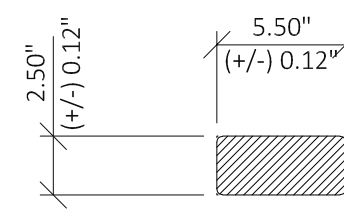
6 PERMA-TREAD 26 PROFILE
FREE SPAN UP TO 27" AT 100 LBS. / SQ. FT @ 122° F
FREE SPAN UP TO 32" AT 100 LBS. / SQ. FT @ 78° F



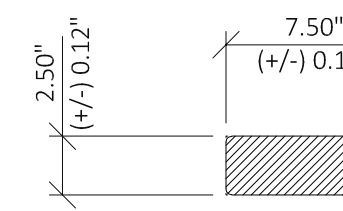
7 PERMA-TREAD 28 PROFILE
FREE SPAN UP TO 27" AT 100 LBS. / SQ. FT @ 122° F
FREE SPAN UP TO 32" AT 100 LBS. / SQ. FT @ 78° F



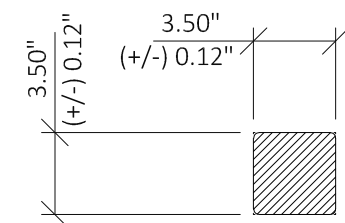
8 PERMA-TREAD 34 PROFILE
FREE SPAN UP TO 43" AT 100 LBS. / SQ. FT @ 122° F
FREE SPAN UP TO 51" AT 100 LBS. / SQ. FT @ 78° F



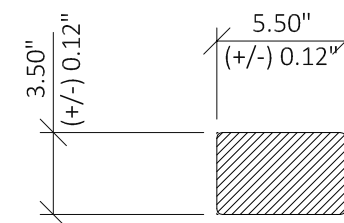
9 PERMA-TREAD 36 PROFILE
FREE SPAN UP TO 43" AT 100 LBS. / SQ. FT @ 122° F
FREE SPAN UP TO 51" AT 100 LBS. / SQ. FT @ 78° F



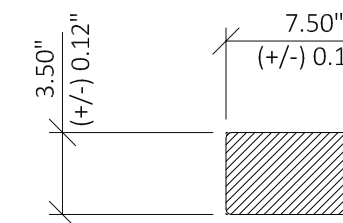
10 PERMA-TREAD 38 PROFILE
FREE SPAN UP TO 43" AT 100 LBS. / SQ. FT @ 122° F
FREE SPAN UP TO 51" AT 100 LBS. / SQ. FT @ 78° F



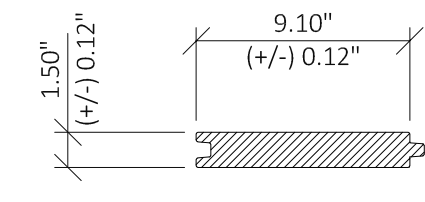
11 PERMA-TREAD 44 PROFILE
FREE SPAN UP TO 60" AT 100 LBS. / SQ. FT @ 122° F
FREE SPAN UP TO 71" AT 100 LBS. / SQ. FT @ 78° F



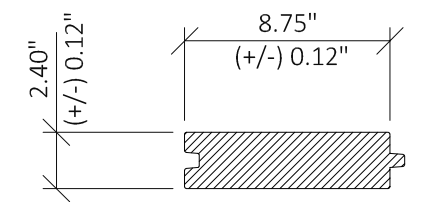
12 PERMA-TREAD 46 PROFILE
FREE SPAN UP TO 60" AT 100 LBS. / SQ. FT @ 122° F
FREE SPAN UP TO 71" AT 100 LBS. / SQ. FT @ 78° F



13 PERMA-TREAD 48 PROFILE
FREE SPAN UP TO 60" AT 100 LBS. / SQ. FT @ 122° F
FREE SPAN UP TO 71" AT 100 LBS. / SQ. FT @ 78° F



16 PERMA-TREAD TG210 PROFILE
FREE SPAN UP TO 27" AT 100 LBS. / SQ. FT @ 122° F
FREE SPAN UP TO 32" AT 100 LBS. / SQ. FT @ 78° F



17 PERMA-TREAD TG310 PROFILE
FREE SPAN UP TO 43" AT 100 LBS. / SQ. FT @ 122° F
FREE SPAN UP TO 51" AT 100 LBS. / SQ. FT @ 78° F

PERMA-TREAD™

(971) 772-4553 | sales@nationalstair.com | www.nationalstair.com

PERMA-TREAD
PROFILE DETAILS

0

SCALE: N.T.S.

DWG #: PT-1.1