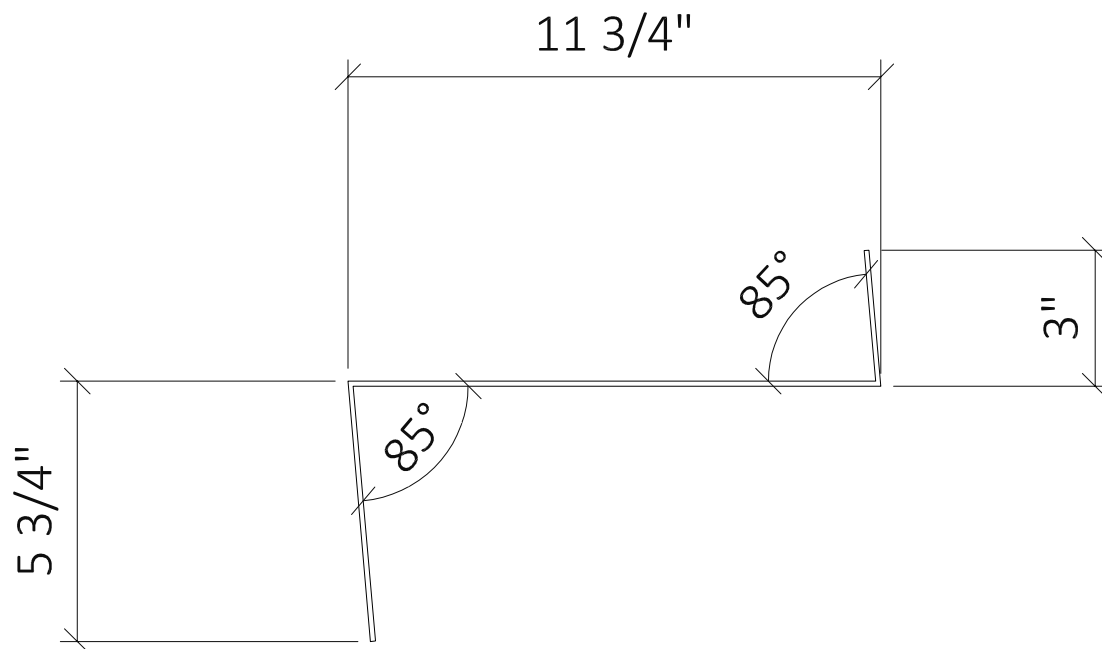


# UNIVERSAL CLOSED RISER METAL STAIR PAN

SUGGESTED 12 GA. STEEL  
(MUST ENGINEER FOR SPECIFIC PROJECT)



**PERMA-TREAD™**

(971) 772-4553 | sales@nationalstair.com | www.nationalstair.com

PERMA-TREAD  
UNIVERSAL CLOSED RISER METAL PAN



SCALE: N.T.S.

DWG #:

PT-0.1