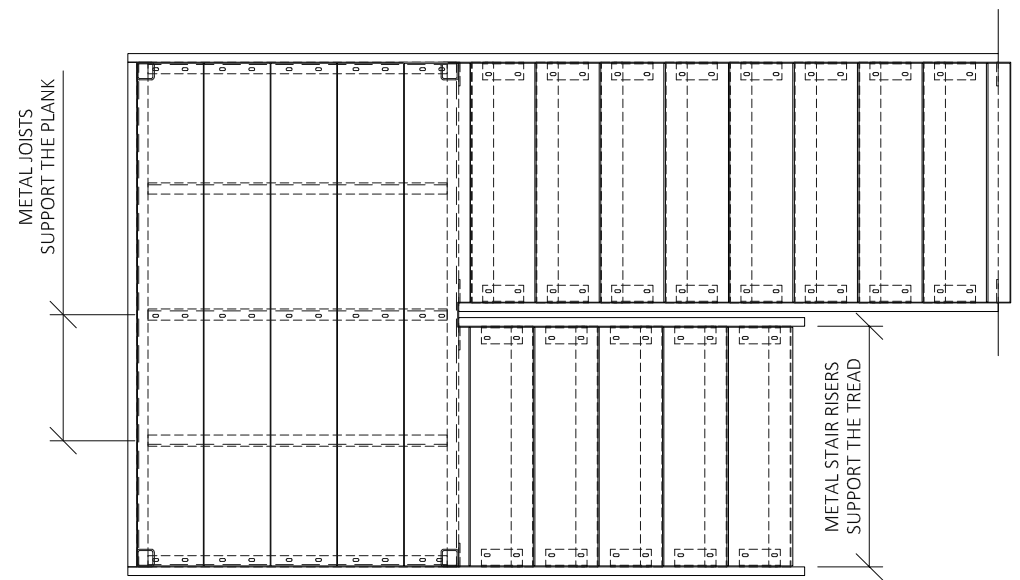


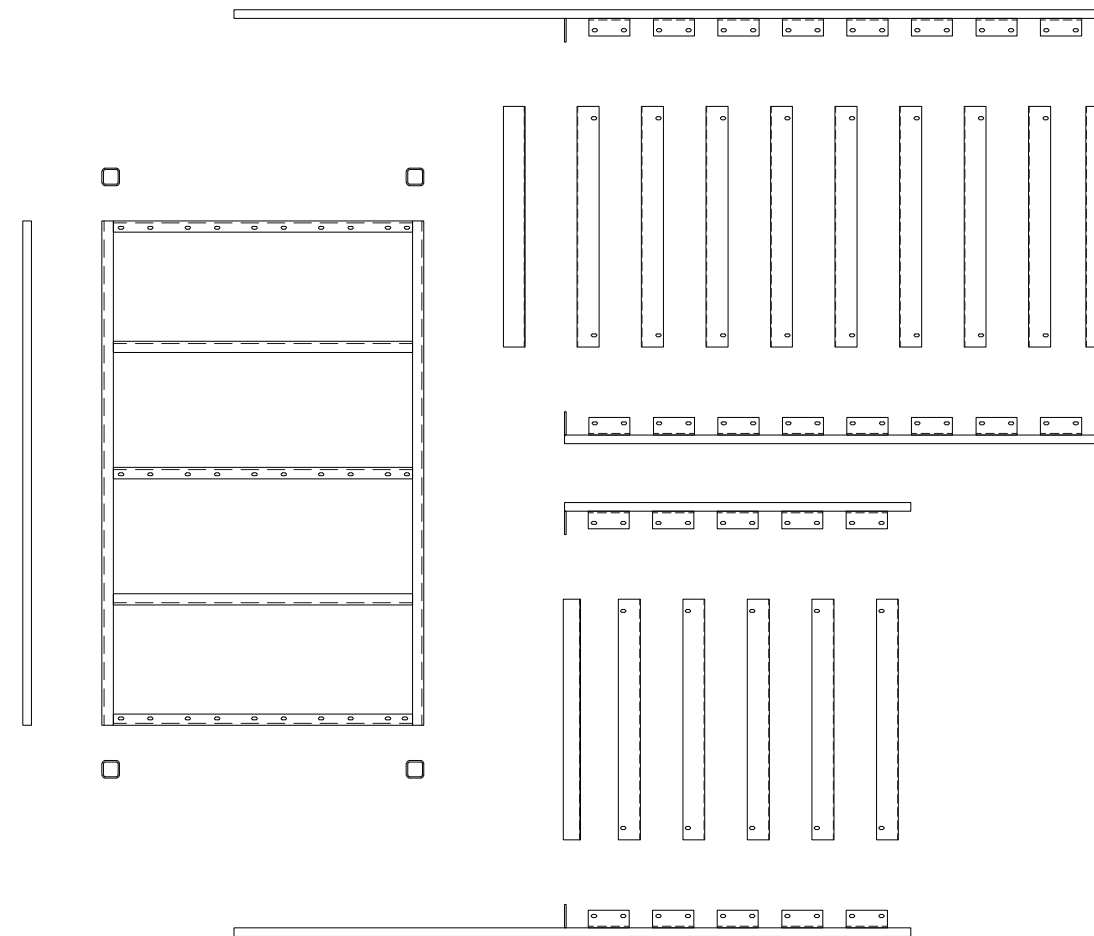
ON-SITE BOLT TOGETHER METAL FRAME, COMBUSTIBLE MATERIAL ALLOWED DESIGN, PERMA-TREAD EXPOSED TO FLAME INTERIOR / EXTERIOR, METAL FRAMED, METAL CLOSED RISERS, STAIR TREADS ARE PERMA-TREAD (PT)

STRINGERS: METAL
 TREADS: PT 212 OR 312 SUPPORTED BY METAL PLATE RISER
 RISERS: METAL PLATE CLOSES THE RISERS
 LANDING/PLATFORM: PT 212 AS PLANK, SPAN SUPPORTED BY METAL JOIST

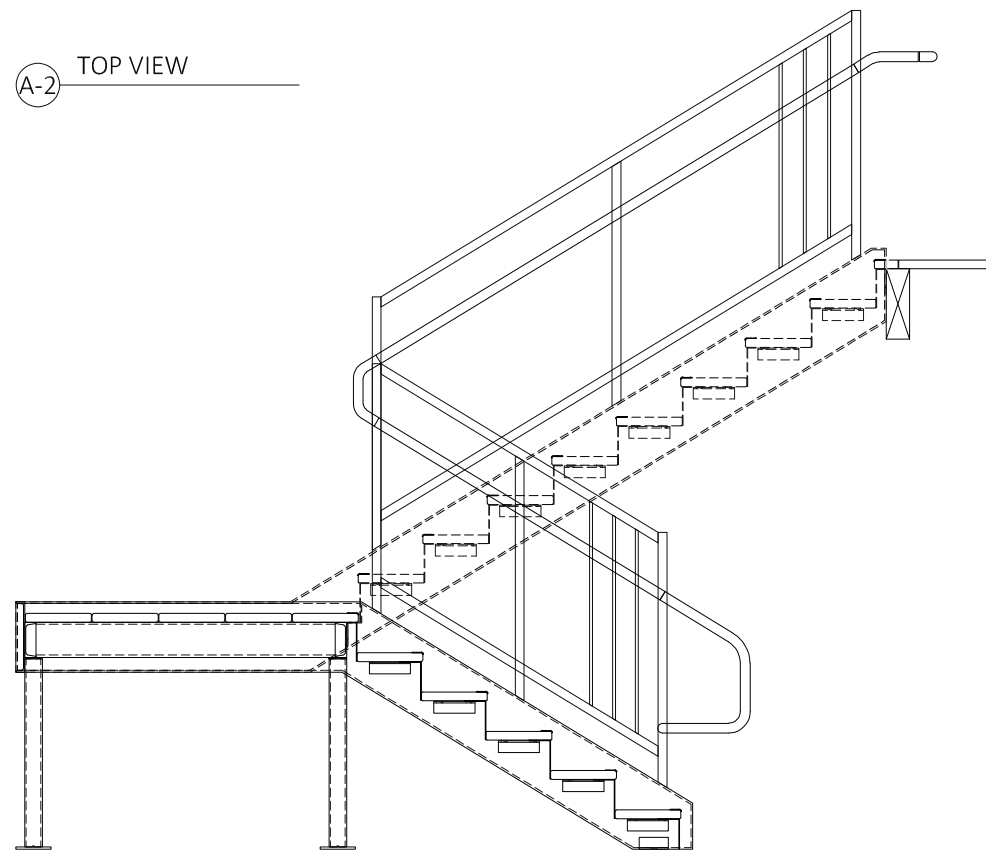
* MUST REVIEW BUILDING TYPE FOR ACCEPTABLE STAIR FRAME CONSTRUCTION
 * MUST ENGINEER CONNECTIONS, STAIR FRAME, METAL PANS, LANDING FRAME TO MEET LOAD REQUIREMENTS



A-2 TOP VIEW



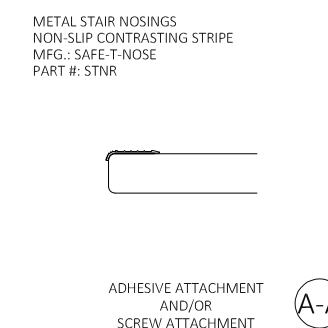
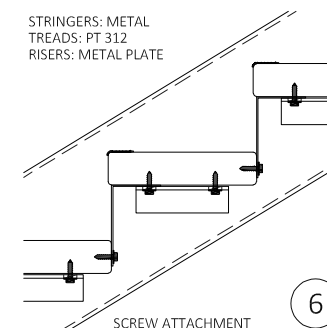
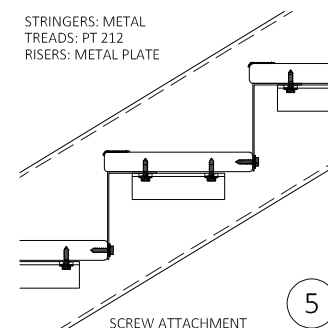
A-3 METAL FRAME BREAK DOWN
 (RAILS SHOP WELDED TO STRINGERS OPTIONAL)



A-1 ELEVATION VIEW

ASTM E648 TYPE 1, ASTM E84 CLASS B FIRE RATING
 (PERMA-TREAD EXPOSED TO FLAME)

DETAIL 5-6 WHERE STAIR STRUCTURE PERMITTED TO BE CONSTRUCTED WITH COMBUSTIBLE MATERIAL



PERMA-TREAD™

(971) 772-4553 | sales@nationalstair.com | www.nationalstair.com

BOLT TOGETHER METAL STAIR
 METAL PLATE CLOSED RISERS

0

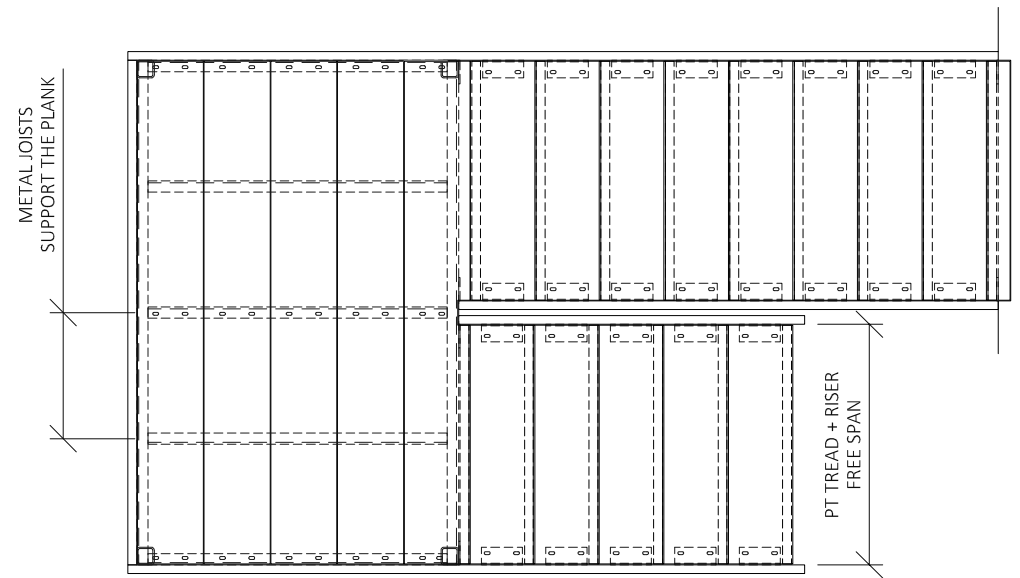
SCALE: N.T.S.

DWG #: PT-3.3

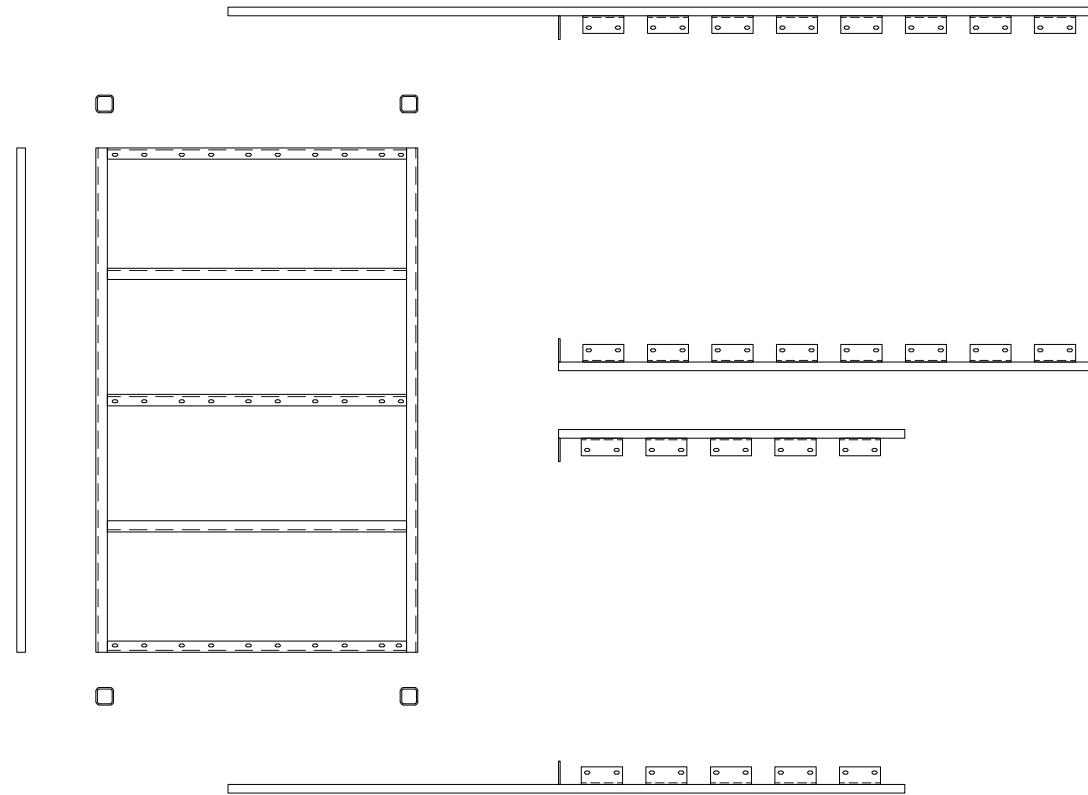
ON-SITE BOLT TOGETHER METAL FRAME, COMBUSTIBLE MATERIAL ALLOWED DESIGN INTERIOR / EXTERIOR, METAL FRAMED, PERMA-TREAD CLOSED RISERS, STAIR TREADS ARE PERMA-TREAD (PT)

STRINGERS: METAL
TREADS: PT 212 OR 312 SUPPORTED BY PERMA-TREAD RISER
RISERS: PERMA-TREAD CLOSES THE RISERS
LANDING/PLATFORM: PT 212 AS PLANK, SPAN SUPPORTED BY METAL JOIST

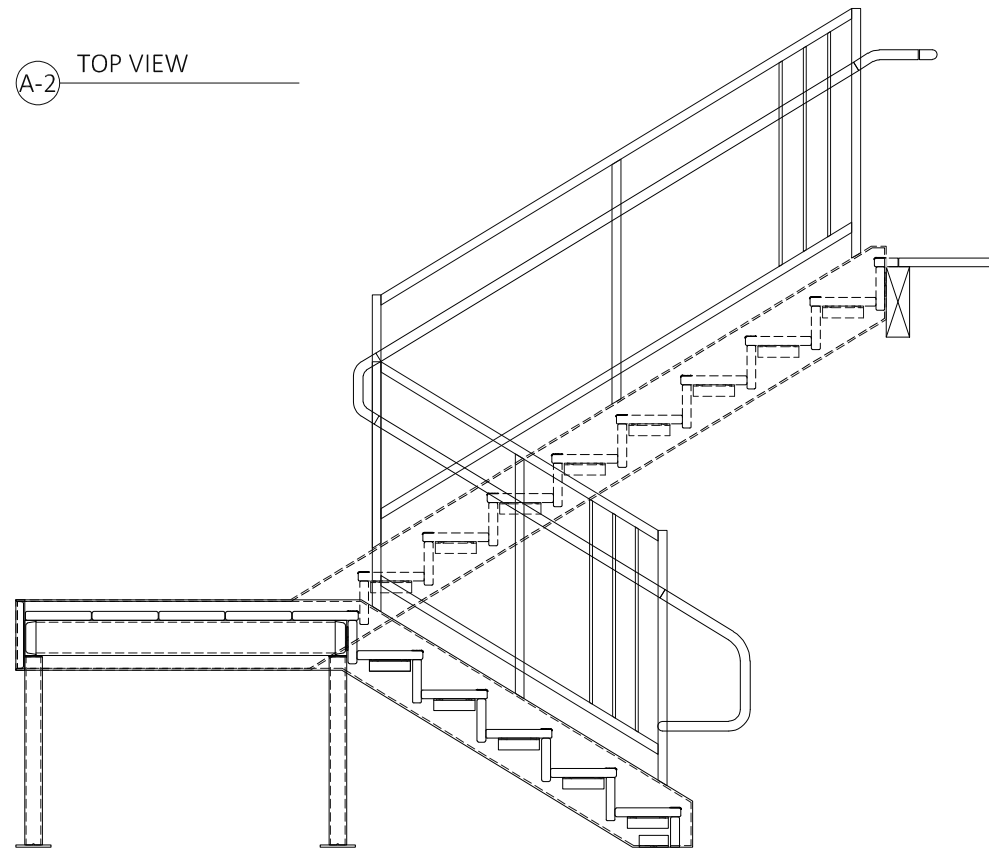
* MUST REVIEW BUILDING TYPE FOR ACCEPTABLE STAIR FRAME CONSTRUCTION
* MUST ENGINEER CONNECTIONS, STAIR FRAME, LANDING FRAME TO MEET LOAD REQUIREMENTS



A-2 TOP VIEW



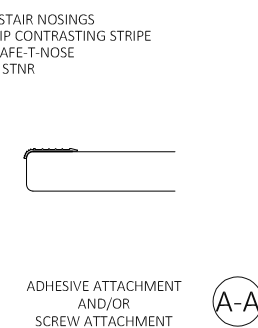
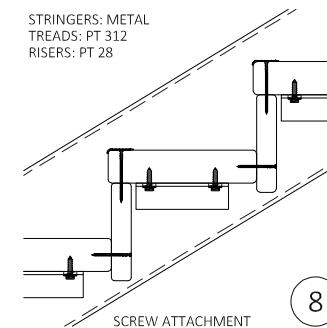
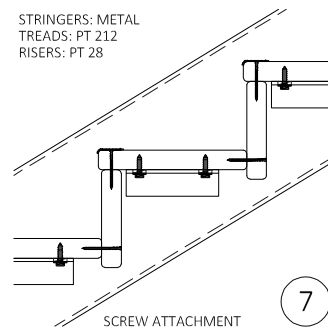
A-3 METAL FRAME BREAK DOWN
(RAILS SHOP WELDED TO STRINGERS OPTIONAL)



A-1 ELEVATION VIEW

ASTM E648 TYPE 1, ASTM E84 CLASS B FIRE RATING
(PERMA-TREAD EXPOSED TO FLAME)

DETAIL 7-8 WHERE STAIR STRUCTURE PERMITTED TO BE CONSTRUCTED WITH COMBUSTIBLE MATERIAL



PERMA-TREAD™

(971) 772-4553 | sales@nationalstair.com | www.nationalstair.com

BOLT TOGETHER METAL STAIR
PERMA-TREAD CLOSED RISERS

0

SCALE: N.T.S.

DWG #: PT-3.4