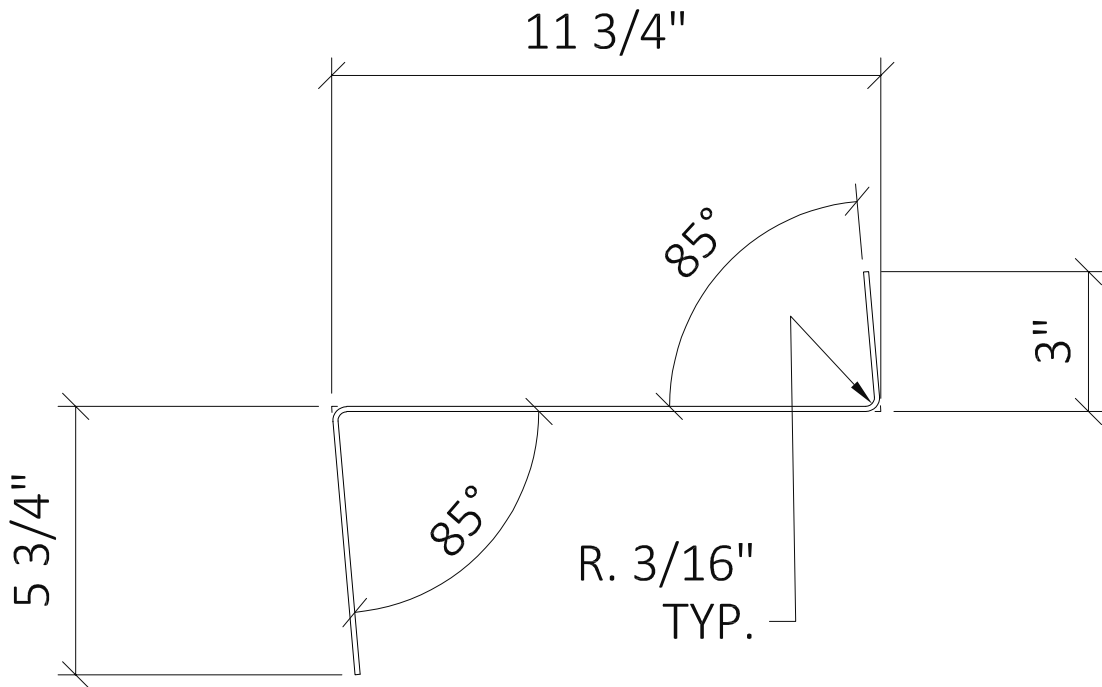


# UNIVERSAL CLOSED RISER METAL STAIR PAN

SUGGESTED 12 GA. STEEL  
RHINO TRED REQUIRES METAL SUPPORT PAN TO CONFORM TO:  
I.B.C. CODE TABLE 1607.1  
100 PSF - UNIFORM LOAD  
300 LBS - CONCENTRATED LOAD



(971) 772-4553 | sales@nationalstair.com | www.nationalstair.com

RHINO TRED  
UNIVERSAL CLOSED RISER METAL PAN



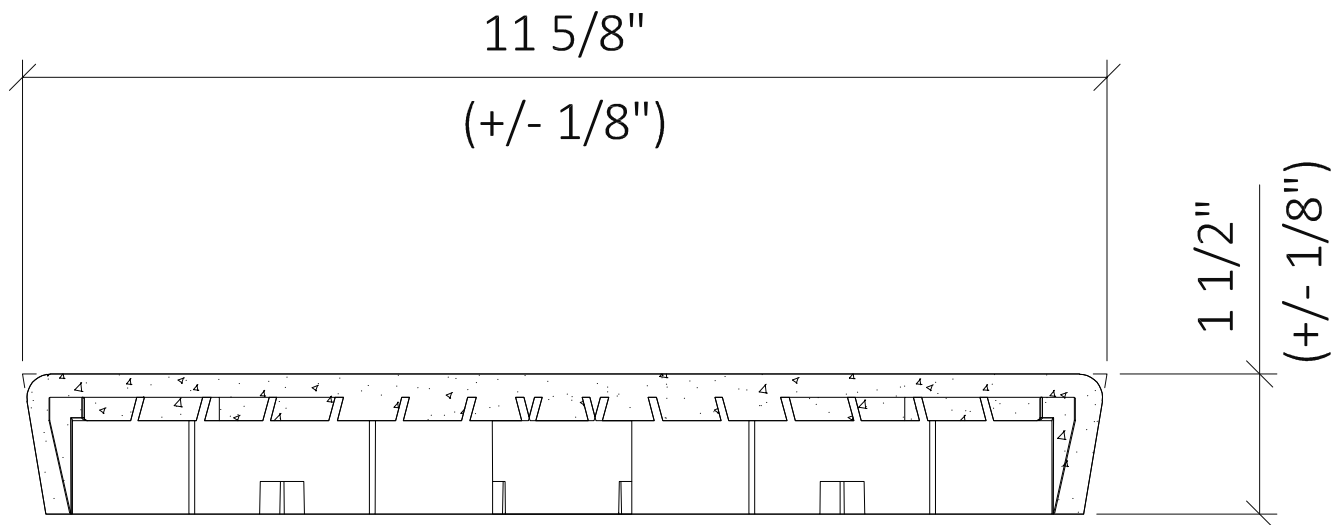
SCALE: N.T.S.

DWG #: RT-0.1

# RHINO TRED - STANDARD

PRECAST CONCRETE TREAD USES PATENTED  
RECYCLED POLYSTYRENE CORE COATED WITH 8,500 PSI CONCRETE  
TO ELIMINATE WEIGHT AND CO2 EMISSIONS

48" TREAD WEIGHS 34 LBS, A 70% CONCRETE WEIGHT REDUCTION  
WITH LESS CONCRETE, CO2 EMISSIONS REDUCED UP TO 2/3



RHINO TRED REQUIRES METAL SUPPORT PAN TO CONFORM TO:

- I.B.C. CODE TABLE 1607.1
- 100 PSF - UNIFORM LOAD
- 300 LBS - CONCENTRATED LOAD



(971) 772-4553 | sales@nationalstair.com | www.nationalstair.com

RHINO TRED - STANDARD  
MODEL # RT-PC150



SCALE: N.T.S.

DWG #: RT-1.1

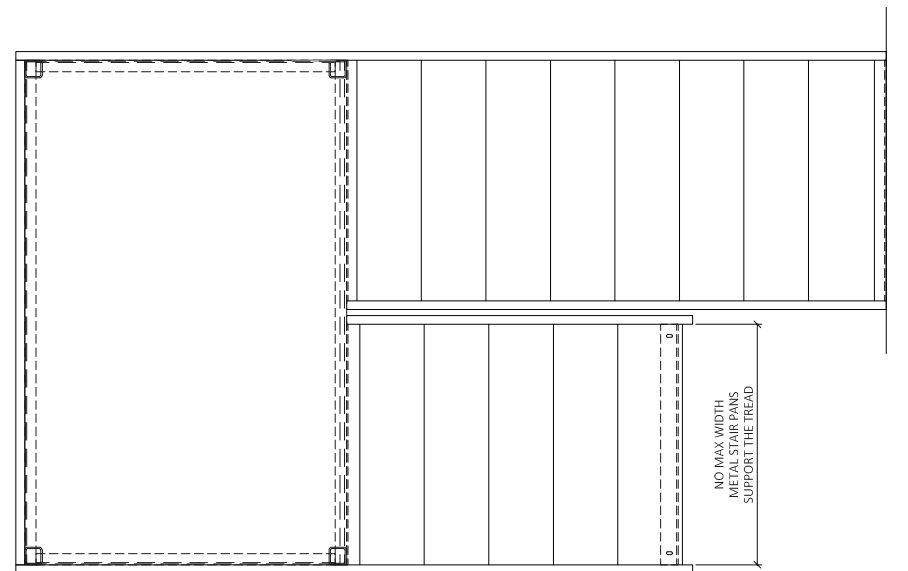
# RHINO TRED STAIR DESIGN WITH UNIVERSAL CLOSED RISER METAL STAIR PAN INTERIOR OR EXTERIOR STAIRS, STEEL OR WOOD STAIR STRINGERS

\* ASTM E84 CLASS A ASSEMBLY (STEEL PROTECTS RHINO TRED FROM FLAME)

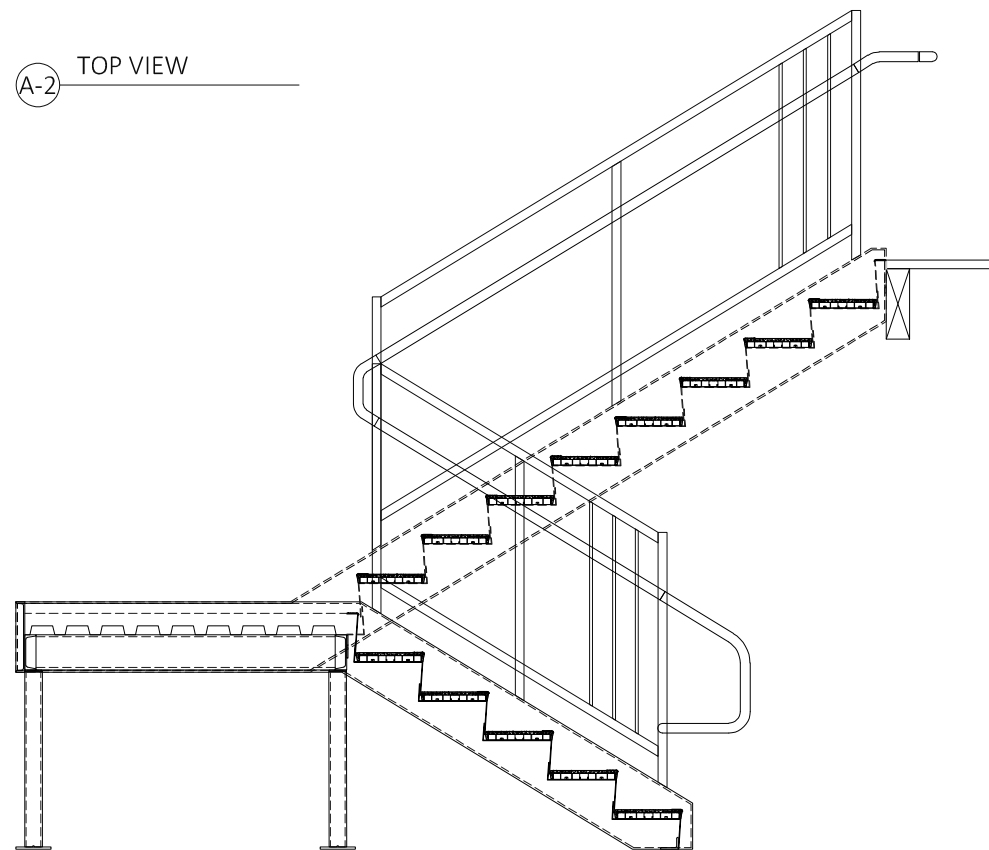
\* MUST REVIEW BUILDING TYPE FOR ACCEPTABLE STAIR CONSTRUCTION

\* NATIONAL STAIR PRODUCTS DOES NOT PROVIDE ENGINEERING AND ASSUMES NO RESPONSIBILITY OR LIABILITY FOR ANY ELEMENT OF DESIGN AND/OR CONSTRUCTION DETAILS.

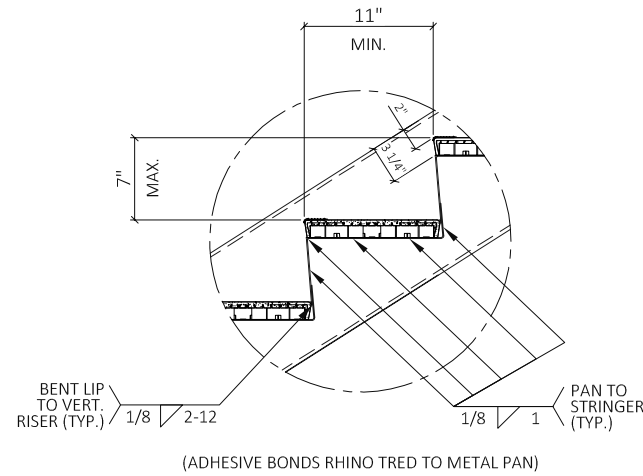
\* THE INFORMATION PROVIDED IS FOR CONCEPT DESIGN PURPOSES ONLY. IT IS THE CUSTOMERS RESPONSIBILITY TO ENGINEER AND VERIFY DESIGN, STRUCTURE, COMPONENTS, HARDWARE AND CONNECTIONS.



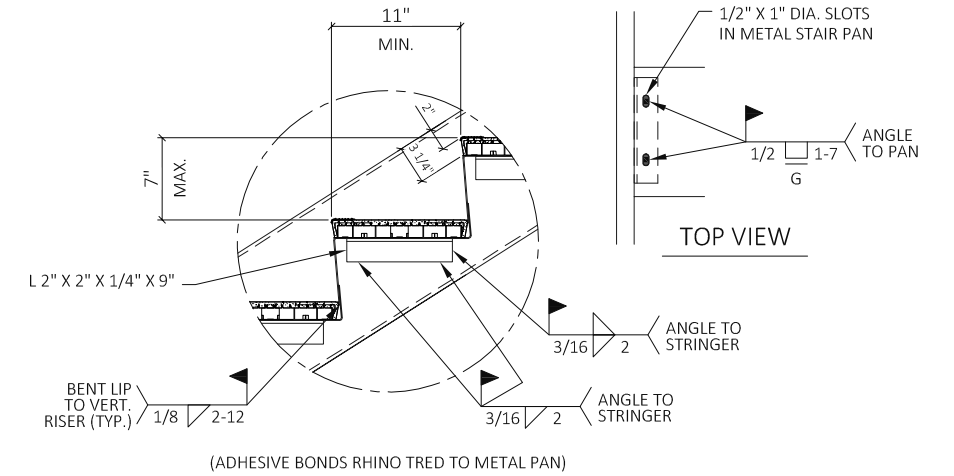
A-2 TOP VIEW



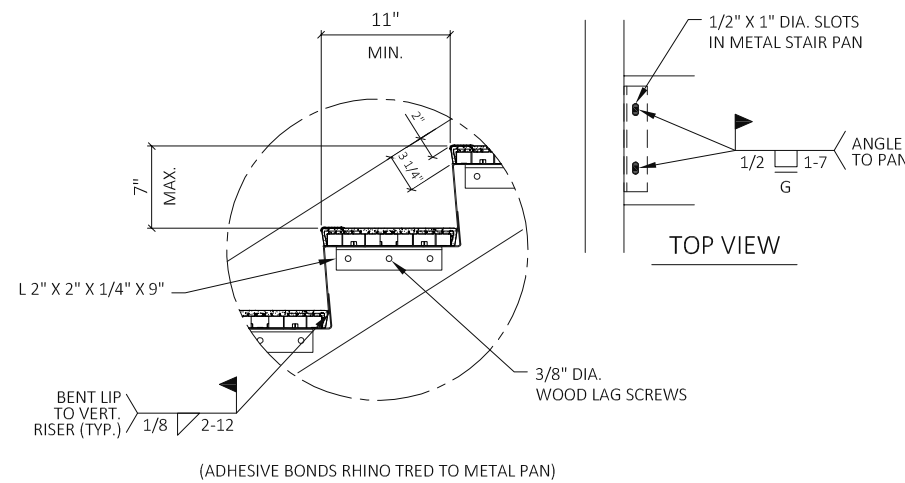
A-1 ELEVATION VIEW



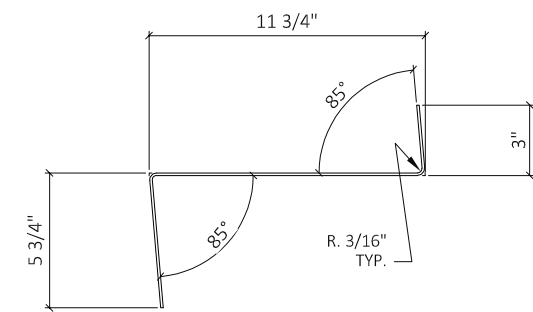
D1 METAL STAIR STRINGERS  
METAL PANS SHOP WELDED  
METAL STAIR STRINGERS



D2 METAL STAIR STRINGERS  
METAL PANS FIELD WELDED  
TO METAL ANGLE CLIPS



D3 WOOD STAIR STRINGERS  
METAL PANS FIELD WELDED  
TO BOLTED METAL ANGLE CLIPS



SUGGESTED 12 GA. STEEL (GALVANIZED)  
RHINO TRED REQUIRES METAL SUPPORT PAN TO CONFORM TO:  
I.B.C. CODE TABLE 1607.1  
100 PSF - UNIFORM LOAD  
300 LBS - CONCENTRATED LOAD

D4 UNIVERSAL METAL PAN



(971) 772-4553 | sales@nationalstair.com | www.nationalstair.com

RHINO TRED - STAIR DESIGN  
CLOSED RISER STAIRS

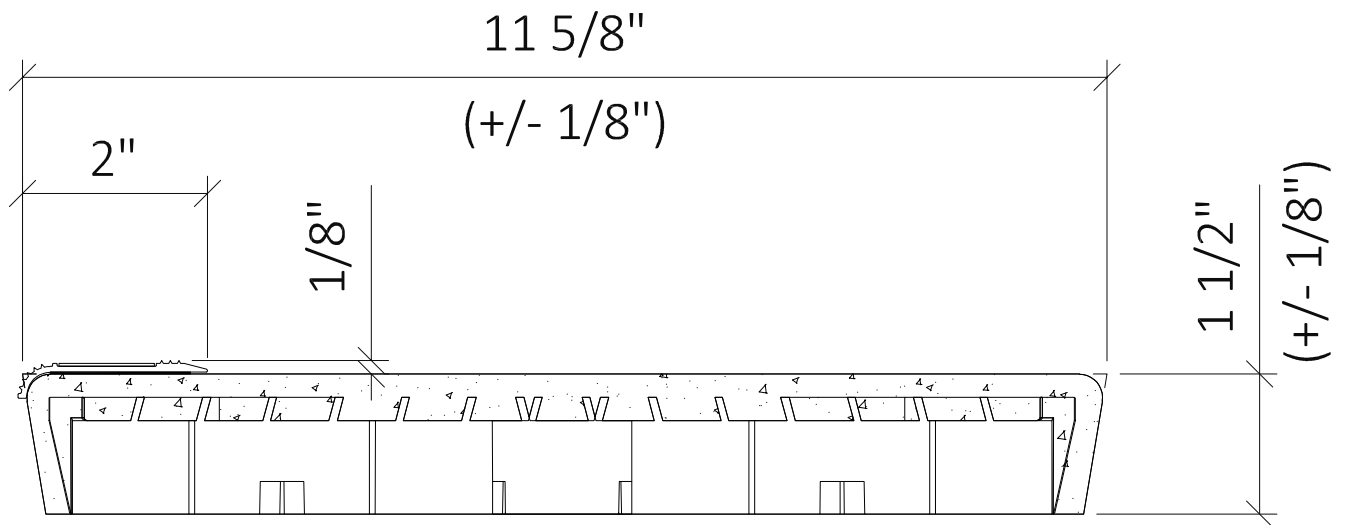


SCALE: N.T.S.

DWG #: PT-2.1

# RHINO TRED - STNR SURFACE MOUNT

2" ABRASIVE + CONTRASTING STRIPE OR PHOTOLUMINESCENT NOSING  
(SHOP APPLIED OR ON SITE BY OTHERS)



RHINO TRED REQUIRES METAL SUPPORT PAN TO CONFORM TO:

I.B.C. CODE TABLE 1607.1

100 PSF - UNIFORM LOAD

300 LBS - CONCENTRATED LOAD



(971) 772-4553 | sales@nationalstair.com | www.nationalstair.com

RHINO TRED - STNR SURFACE MOUNT  
MODEL # RT-PC150-STNR

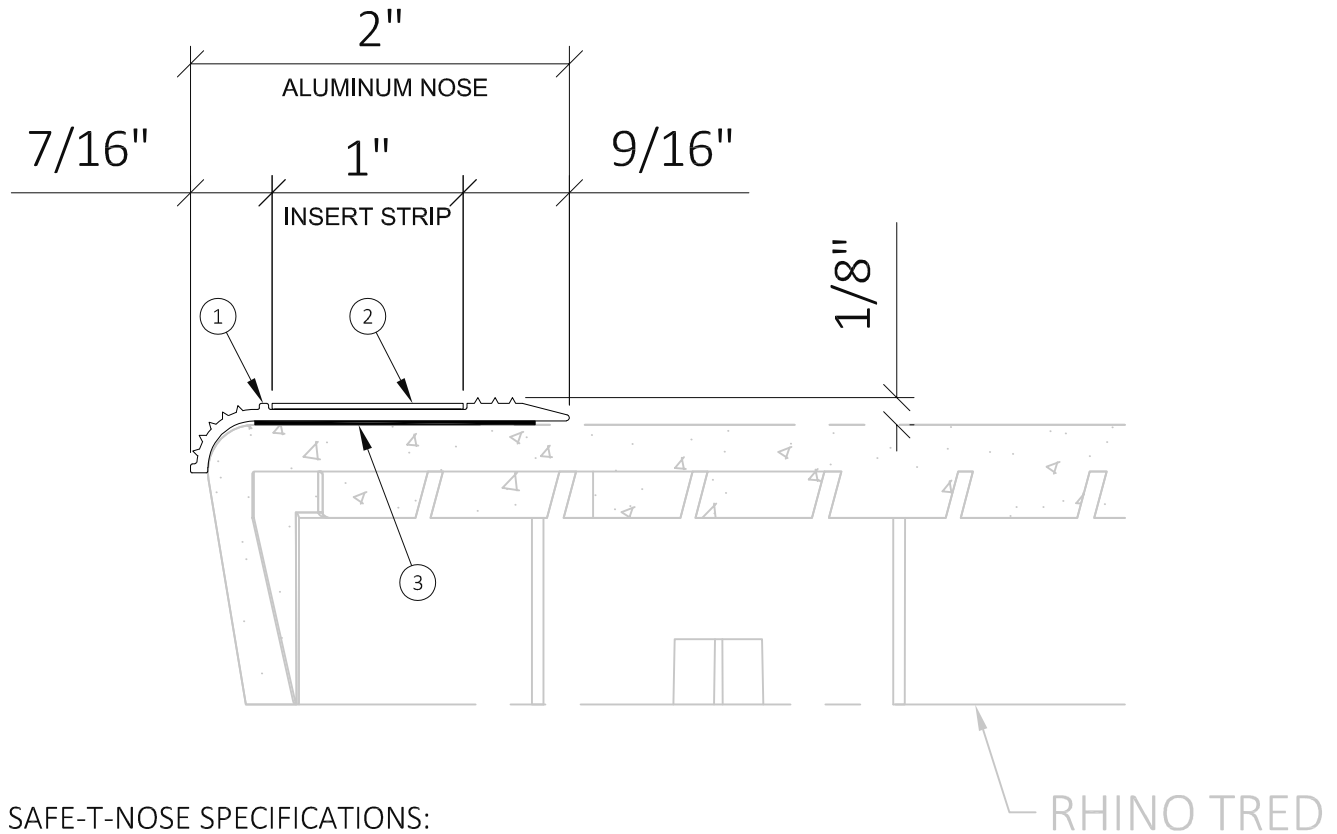


SCALE: N.T.S.

DWG #: RT-1.2

# RHINO TRED - STNR SURFACE MOUNT

2" ABRASIVE + CONTRASTING STRIPE OR PHOTOLUMINESCENT NOSING  
(SHOP APPLIED OR ON SITE BY OTHERS)



## SAFE-T-NOSE SPECIFICATIONS:

1. EXTRUDED ALUMINUM ALLOY 6063-T5
  - (a) Mill Finish
  - (b) Clear Anodize
  - (c) Yellow Powder Coat
  - (d) Black Powder Coat
2. 1" INSERT STRIP (shop applied):
  - (a) Photo-Glo STNF
  - (b) Photo-Glo S9203
  - (c) Traction Yellow
  - (d) Traction Black
  - (e) Ribbed Aluminum
3. ATTACHMENT:
  - (a) Excluded (install by others)
  - (b) Liquid Adhesive (shop applied)
  - (c) Mechanical Screw (shop applied)
4. NOSING LENGTH: Equal To Tread Width
5. ASTM 2072 / UL 1994

**Safe-T-Nose®**

WWW.SAFETNOSE.COM

1-855-723-6673

SALES@SAFETNOSE.COM



(971) 772-4553 | sales@nationalstair.com | www.nationalstair.com

RHINO TRED - STNR FLUSH MOUNT  
MODEL # RT-PC150-SG-STNR



SCALE: N.T.S.

DWG #:

RT-0.2

# RHINO TRED - STNR FLUSH MOUNT

2" ABRASIVE + CONTRASTING STRIPE OR PHOTOLUMINESCENT NOSING  
(SHOP APPLIED ONLY)



RHINO TRED REQUIRES METAL SUPPORT PAN TO CONFORM TO:  
I.B.C. CODE TABLE 1607.1  
100 PSF - UNIFORM LOAD  
300 LBS - CONCENTRATED LOAD



(971) 772-4553 | sales@nationalstair.com | www.nationalstair.com

RHINO TRED - STNR FLUSH MOUNT  
MODEL # RT-PC150-SG-STNR

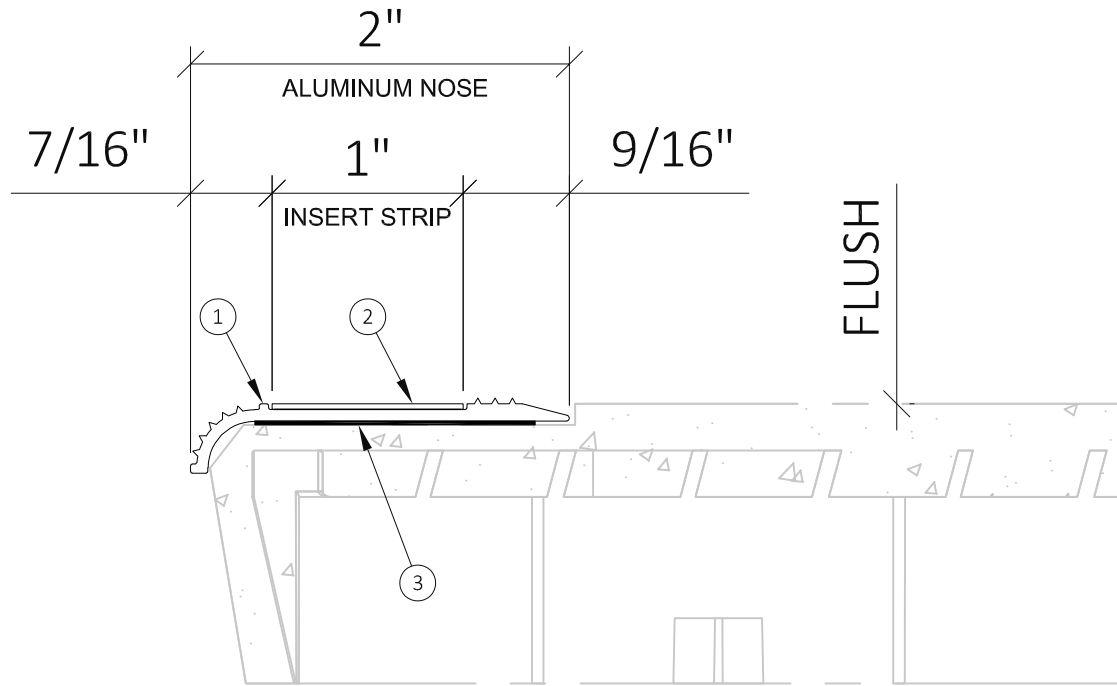


SCALE: N.T.S.

DWG #: RT-1.3

# RHINO TRED - STNR FLUSH MOUNT

2" ABRASIVE + CONTRASTING STRIPE OR PHOTOLUMINESCENT NOSING  
(SHOP APPLIED ONLY)



## SAFE-T-NOSE SPECIFICATIONS:

1. EXTRUDED ALUMINUM ALLOY 6063-T5
  - (a) Mill Finish
  - (b) Clear Anodize
  - (c) Yellow Powder Coat
  - (d) Black Powder Coat
2. 1" INSERT STRIP (shop applied):
  - (a) Photo-Glo STNF
  - (b) Photo-Glo S9203
  - (c) Traction Yellow
  - (d) Traction Black
  - (e) Ribbed Aluminum
3. ATTACHMENT:
  - (a) Liquid Adhesive (shop applied)
4. NOSING LENGTH: Equal To Tread Width
5. ASTM 2072 / UL 1994

**Safe-T-Nose®**  
WWW.SAFETNOSE.COM

1-855-723-6673  
SALES@SAFETNOSE.COM



(971) 772-4553 | sales@nationalstair.com | www.nationalstair.com

RHINO TRED - STNR FLUSH MOUNT  
MODEL # RT-PC150-SG-STNR

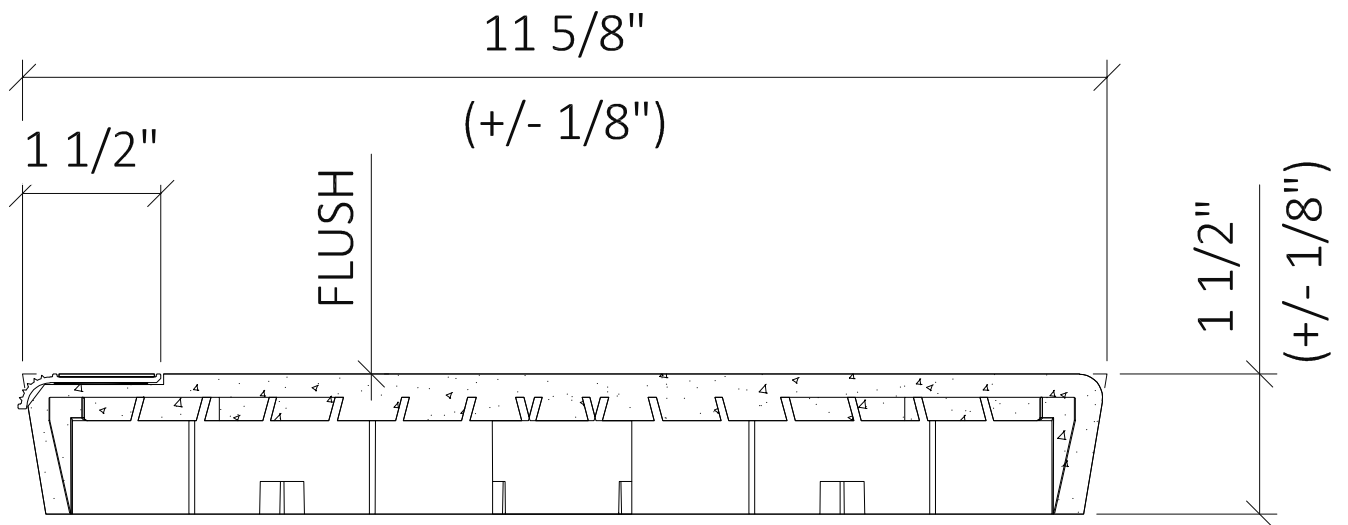


SCALE: N.T.S.

DWG #: RT-0.3

# RHINO TRED - STNS FLUSH MOUNT

1 1/2" ABRASIVE + CONTRASTING STRIPE OR PHOTOLUMINESCENT NOSING  
(SHOP APPLIED ONLY)



RHINO TRED REQUIRES METAL SUPPORT PAN TO CONFORM TO:  
I.B.C. CODE TABLE 1607.1  
100 PSF - UNIFORM LOAD  
300 LBS - CONCENTRATED LOAD



(971) 772-4553 | sales@nationalstair.com | www.nationalstair.com

RHINO TRED - STNS FLUSH MOUNT  
MODEL # RT-PC150-SG-STNS



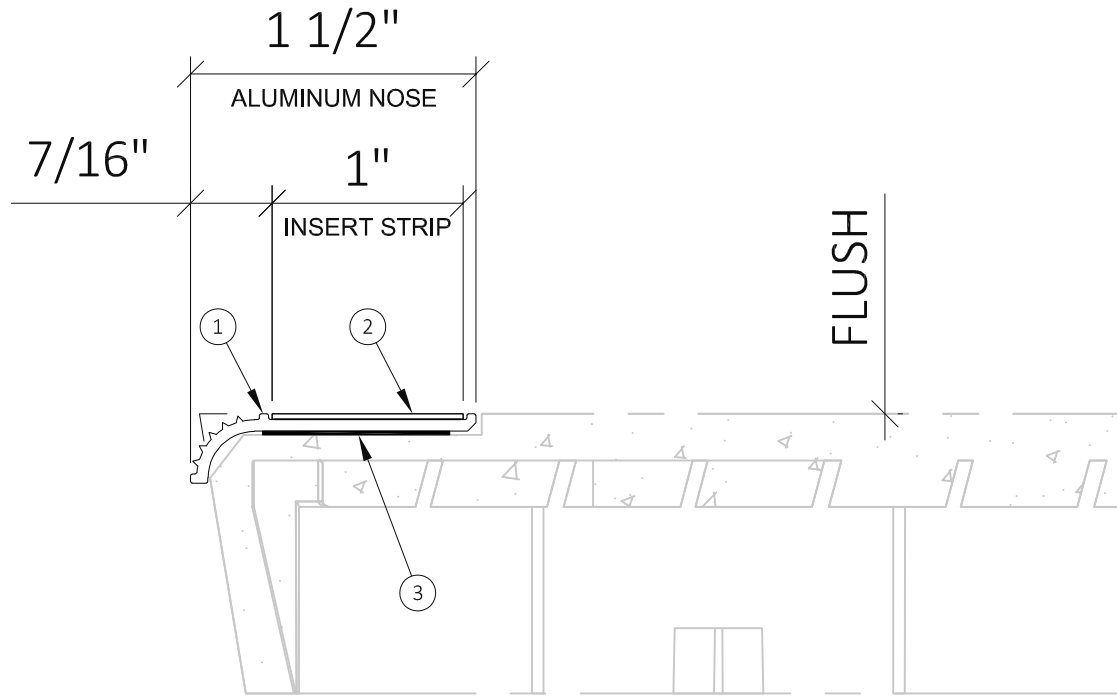
SCALE: N.T.S.

DWG #: RT-1.4



# RHINO TRED - STNS FLUSH MOUNT

1 1/2" ABRASIVE + CONTRASTING STRIPE OR PHOTOLUMINESCENT NOSING  
(SHOP APPLIED ONLY)



## SAFE-T-NOSE SPECIFICATIONS:

1. EXTRUDED ALUMINUM ALLOY 6063-T5
  - (a) Mill Finish
  - (b) Clear Anodize
  - (c) Yellow Powder Coat
  - (d) Black Powder Coat
2. 1" INSERT STRIP (shop applied):
  - (a) Photo-Glo STNF
  - (b) Photo-Glo S9203
  - (c) Traction Yellow
  - (d) Traction Black
  - (e) Ribbed Aluminum
3. ATTACHMENT:
  - (a) Liquid Adhesive (shop applied)
4. NOSING LENGTH: Equal To Tread Width
5. ASTM 2072 / UL 1994

**Safe-T-Nose®**  
WWW.SAFETNOSE.COM

1-855-723-6673  
SALES@SAFETNOSE.COM



(971) 772-4553 | sales@nationalstair.com | www.nationalstair.com

RHINO TRED - STNS FLUSH MOUNT  
MODEL # RT-PC150-SG-STNS

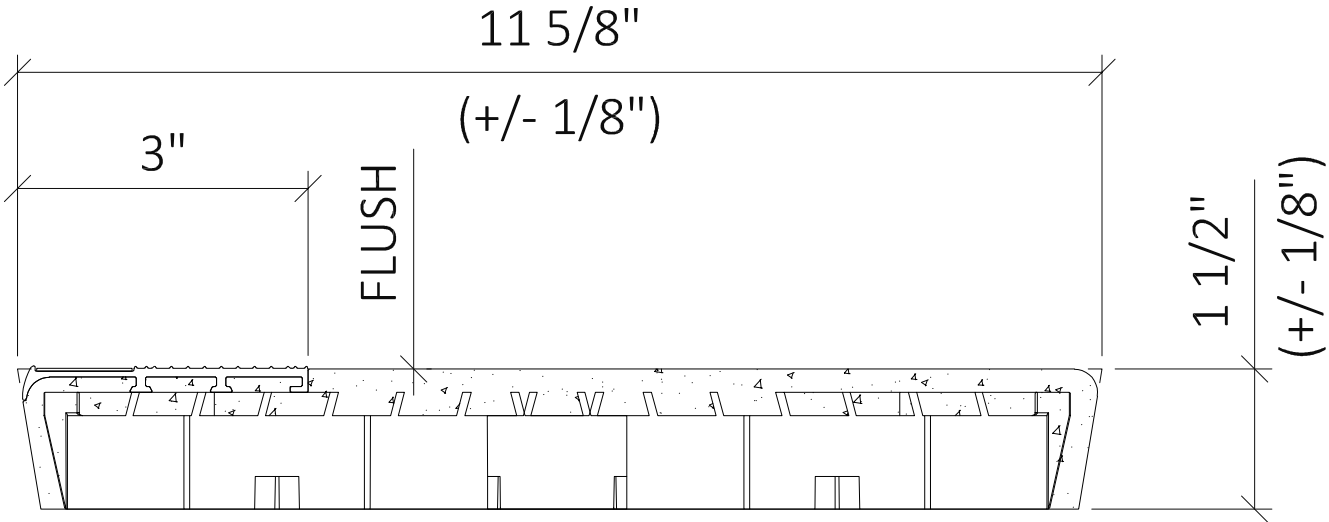


SCALE: N.T.S.

DWG #: RT-0.4

# RHINO TRED - STNC3 EMBEDDED

3" ABRASIVE + CONTRASTING STRIPE OR PHOTOLUMINESCENT NOSING  
(SHOP APPLIED ONLY)



RHINO TRED REQUIRES METAL SUPPORT PAN TO CONFORM TO:  
I.B.C. CODE TABLE 1607.1  
100 PSF - UNIFORM LOAD  
300 LBS - CONCENTRATED LOAD



(971) 772-4553 | sales@nationalstair.com | www.nationalstair.com

RHINO TRED - STNC3 EMBEDDED  
MODEL # RT-PC150-STNC3

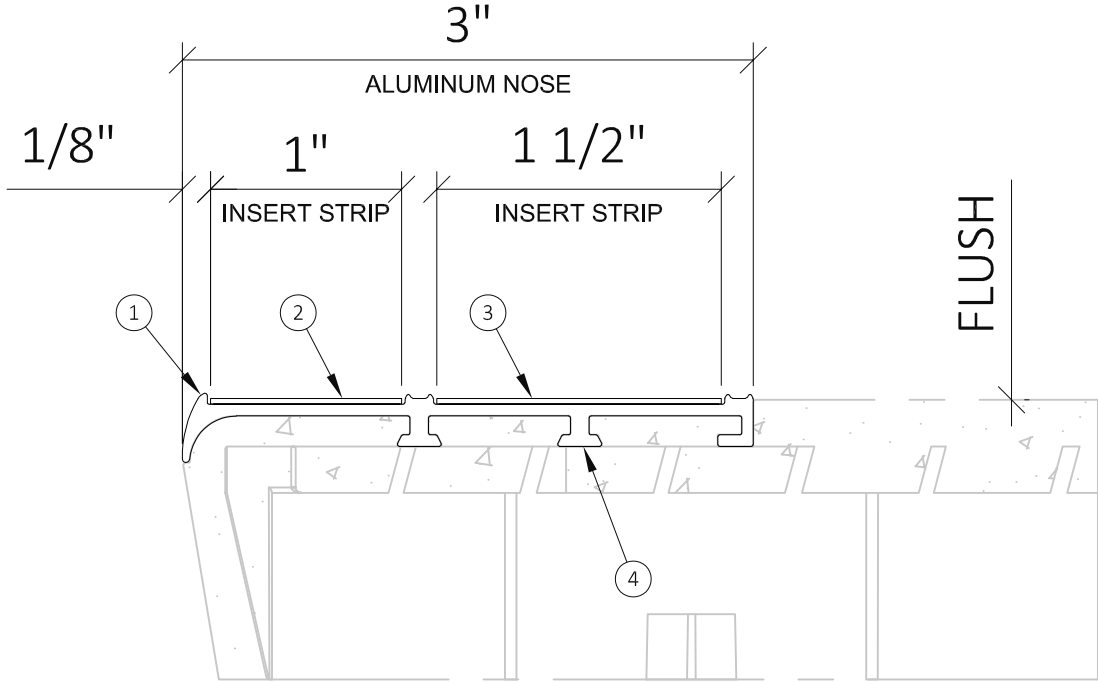


SCALE: N.T.S.

DWG #: RT-1.5

# RHINO TRED - STNC3 EMBEDDED

3" ABRASIVE + CONTRASTING STRIPE OR PHOTOLUMINESCENT NOSING  
(SHOP APPLIED ONLY)



**SAFE-T-NOSE SPECIFICATIONS:**

- ①. EXTRUDED ALUMINUM ALLOY 6063-T5
  - (a) Mill Finish
  - (b) Clear Anodize
  - (c) Yellow Powder Coat
  - (d) Black Powder Coat
- ②. 1" INSERT STRIP (shop applied):
  - (a) Photo-Glo STNF
  - (b) Photo-Glo S9203
  - (c) Traction Yellow
  - (d) Traction Black
- ③. 1 1/2" INSERT STRIP (shop applied):
  - (a) Photo-Glo STNF
  - (b) Photo-Glo S9203
  - (c) Traction Yellow
  - (d) Traction Black
  - (e) Ribbed Aluminum
- ④. ATTACHMENT:
  - Cast In Place (embedded shop applied)
- 5. NOSING LENGTH: Equal To Tread Width
- 6. ASTM 2072 / UL 1994

**Safe-T-Nose®**  
 WWW.SAFETNOSE.COM  
 1-855-723-6673  
 SALES@SAFETNOSE.COM

		
(971) 772-4553   sales@nationalstair.com   www.nationalstair.com		
RHINO TRED - STNS FLUSH MOUNT MODEL # RT-PC150-SG-STNS		
	SCALE: N.T.S.	DWG #: RT-0.5