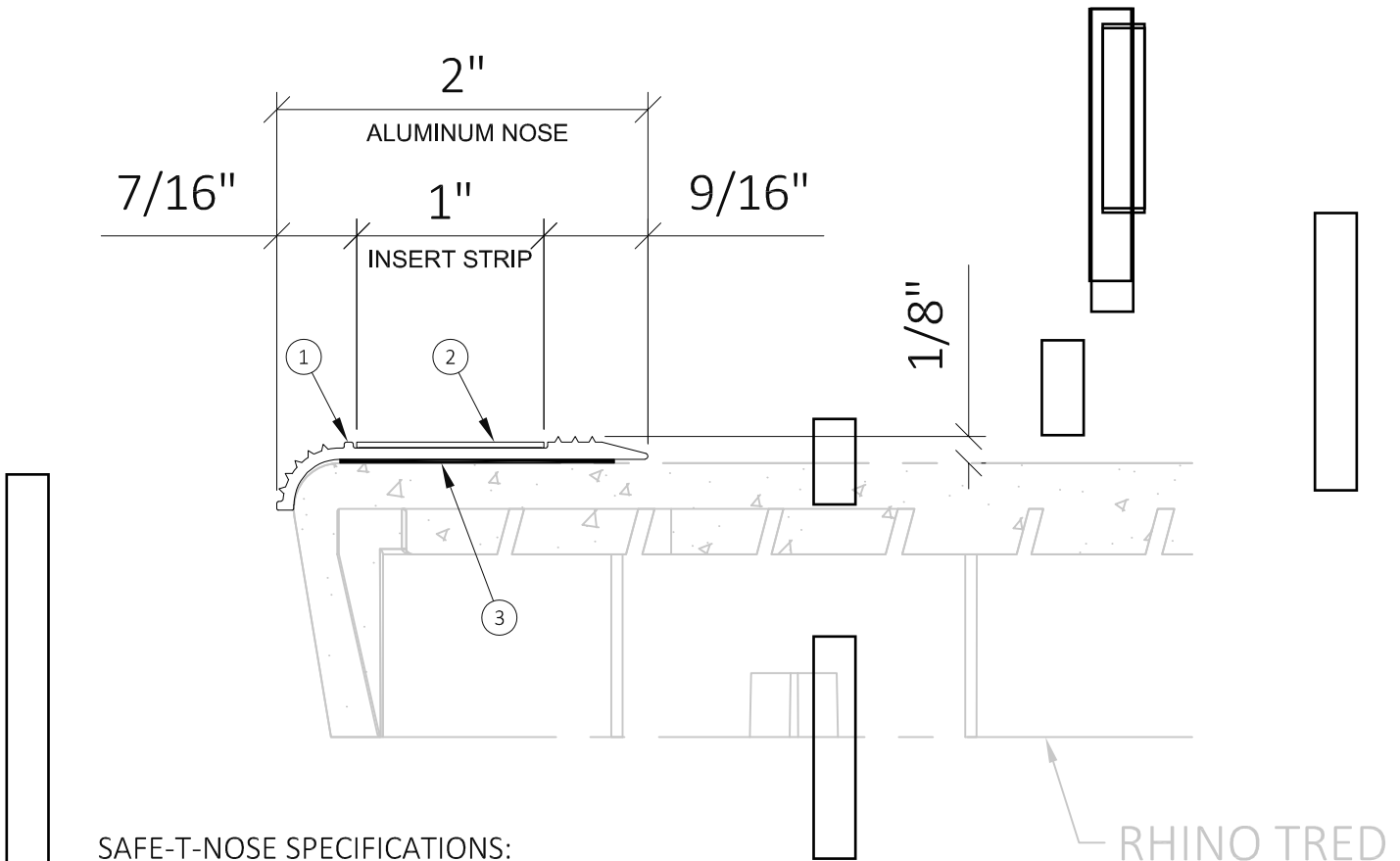


# RHINO TRED - STNR SURFACE MOUNT

2" ABRASIVE + CONTRASTING STRIPE OR PHOTOLUMINESCENT NOSING  
(SHOP APPLIED OR ON SITE BY OTHERS)



## SAFE-T-NOSE SPECIFICATIONS:

1. EXTRUDED ALUMINUM ALLOY 6063-T5
  - (a) Mill Finish
  - (b) Clear Anodize
  - (c) Yellow Powder Coat
  - (d) Black Powder Coat
2. 1" INSERT STRIP (shop applied):
  - (a) Photo-Glo STNF
  - (b) Photo-Glo S9203
  - (c) Traction Yellow
  - (d) Traction Black
  - (e) Ribbed Aluminum
3. ATTACHMENT:
  - (a) Excluded (install by others)
  - (b) Liquid Adhesive (shop applied)
  - (c) Mechanical Screw (shop applied)
4. NOSING LENGTH: Equal To Tread Width
5. ASTM 2072 / UL 1994

**Safe-T-Nose®**

WWW.SAFETNOSE.COM

1-855-723-6673

SALES@SAFETNOSE.COM



(971) 772-4553 | sales@nationalstair.com | www.nationalstair.com

RHINO TRED - STNR FLUSH MOUNT  
MODEL # RT-PC150-SG-STNR

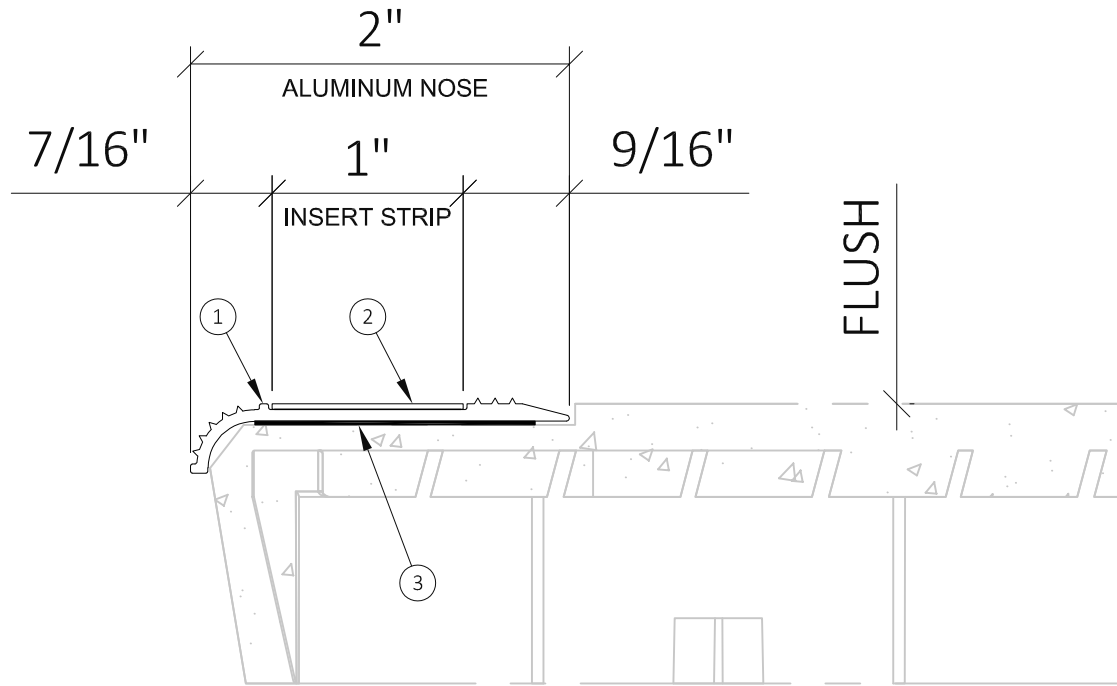


SCALE: N.T.S.

DWG #: RT-0.2

# RHINO TRED - STNR FLUSH MOUNT

2" ABRASIVE + CONTRASTING STRIPE OR PHOTOLUMINESCENT NOSING  
(SHOP APPLIED ONLY)



## SAFE-T-NOSE SPECIFICATIONS:

1. EXTRUDED ALUMINUM ALLOY 6063-T5
  - (a) Mill Finish
  - (b) Clear Anodize
  - (c) Yellow Powder Coat
  - (d) Black Powder Coat
2. 1" INSERT STRIP (shop applied):
  - (a) Photo-Glo STNF
  - (b) Photo-Glo S9203
  - (c) Traction Yellow
  - (d) Traction Black
  - (e) Ribbed Aluminum
3. ATTACHMENT:
  - (a) Liquid Adhesive (shop applied)
4. NOSING LENGTH: Equal To Tread Width
5. ASTM 2072 / UL 1994

**Safe-T-Nose®**  
WWW.SAFETNOSE.COM

1-855-723-6673  
SALES@SAFETNOSE.COM



(971) 772-4553 | sales@nationalstair.com | www.nationalstair.com

RHINO TRED - STNR FLUSH MOUNT  
MODEL # RT-PC150-SG-STNR

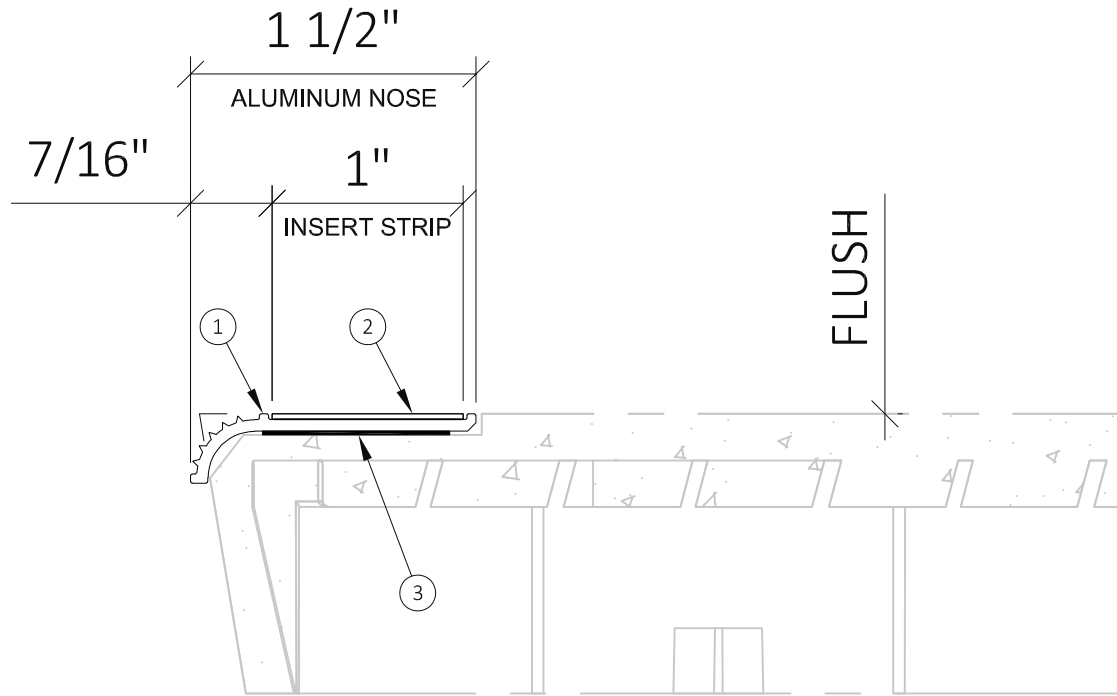


SCALE: N.T.S.

DWG #: RT-0.3

# RHINO TRED - STNS FLUSH MOUNT

1 1/2" ABRASIVE + CONTRASTING STRIPE OR PHOTOLUMINESCENT NOSING  
(SHOP APPLIED ONLY)



## SAFE-T-NOSE SPECIFICATIONS:

1. EXTRUDED ALUMINUM ALLOY 6063-T5
  - (a) Mill Finish
  - (b) Clear Anodize
  - (c) Yellow Powder Coat
  - (d) Black Powder Coat
2. 1" INSERT STRIP (shop applied):
  - (a) Photo-Glo STNF
  - (b) Photo-Glo S9203
  - (c) Traction Yellow
  - (d) Traction Black
  - (e) Ribbed Aluminum
3. ATTACHMENT:
  - (a) Liquid Adhesive (shop applied)
4. NOSING LENGTH: Equal To Tread Width
5. ASTM 2072 / UL 1994

**Safe-T-Nose®**  
WWW.SAFETNOSE.COM

1-855-723-6673  
SALES@SAFETNOSE.COM



(971) 772-4553 | sales@nationalstair.com | www.nationalstair.com

RHINO TRED - STNS FLUSH MOUNT  
MODEL # RT-PC150-SG-STNS

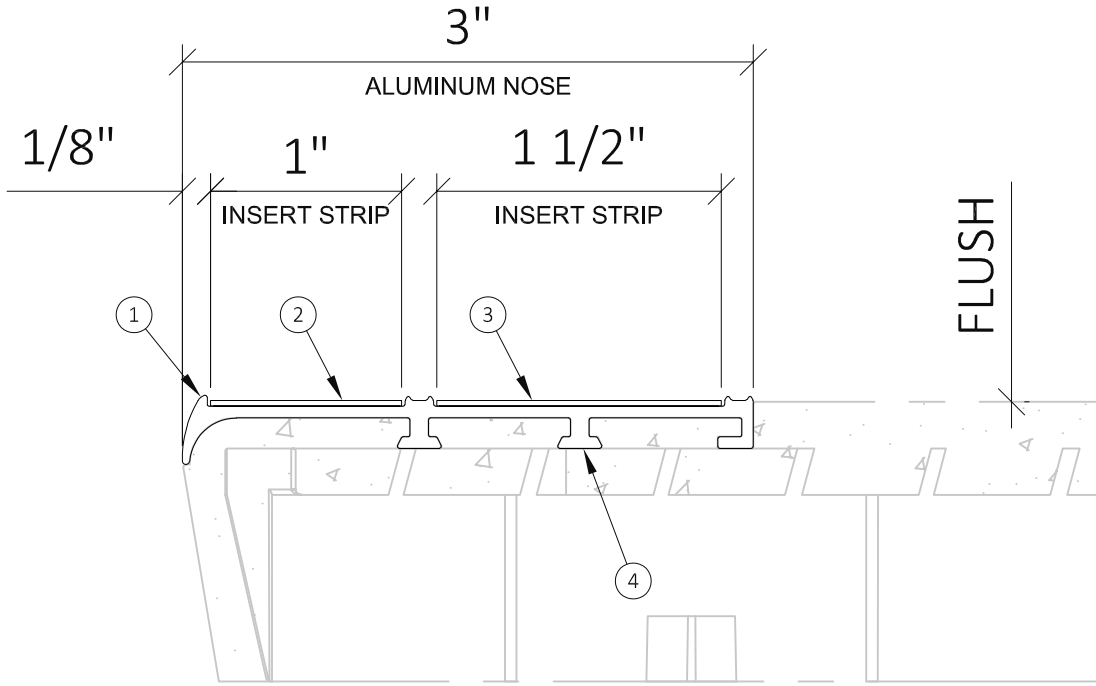


SCALE: N.T.S.

DWG #: RT-0.4

# RHINO TRED - STNC3 EMBEDDED

3" ABRASIVE + CONTRASTING STRIPE OR PHOTOLUMINESCENT NOSING  
(SHOP APPLIED ONLY)



## SAFE-T-NOSE SPECIFICATIONS:

- |   |   |
|---|---|
| <p>①. EXTRUDED ALUMINUM ALLOY 6063-T5</p> <ul style="list-style-type: none"> <li><input type="checkbox"/> (a) Mill Finish</li> <li><input type="checkbox"/> (b) Clear Anodize</li> <li><input type="checkbox"/> (c) Yellow Powder Coat</li> <li><input type="checkbox"/> (d) Black Powder Coat</li> </ul> <p>②. 1" INSERT STRIP (shop applied):</p> <ul style="list-style-type: none"> <li><input type="checkbox"/> (a) Photo-Glo STNF</li> <li><input type="checkbox"/> (b) Photo-Glo S9203</li> <li><input type="checkbox"/> (c) Traction Yellow</li> <li><input type="checkbox"/> (d) Traction Black</li> </ul> <p>③. 1 1/2" INSERT STRIP (shop applied):</p> <ul style="list-style-type: none"> <li><input type="checkbox"/> (a) Photo-Glo STNF</li> <li><input type="checkbox"/> (b) Photo-Glo S9203</li> <li><input type="checkbox"/> (c) Traction Yellow</li> <li><input type="checkbox"/> (d) Traction Black</li> <li><input type="checkbox"/> (e) Ribbed Aluminum</li> </ul> | <p>④. ATTACHMENT:<br/>Cast In Place (embedded shop applied)</p> <p>5. NOSING LENGTH: Equal To Tread Width</p> <p>6. ASTM 2072 / UL 1994</p> |
|---|---|

**Safe-T-Nose®**  
WWW.SAFETNOSE.COM

1-855-723-6673  
SALES@SAFETNOSE.COM



(971) 772-4553 | sales@nationalstair.com | www.nationalstair.com

RHINO TRED - STNS FLUSH MOUNT  
MODEL # RT-PC150-SG-STNS



SCALE: N.T.S.

DWG #: RT-0.5