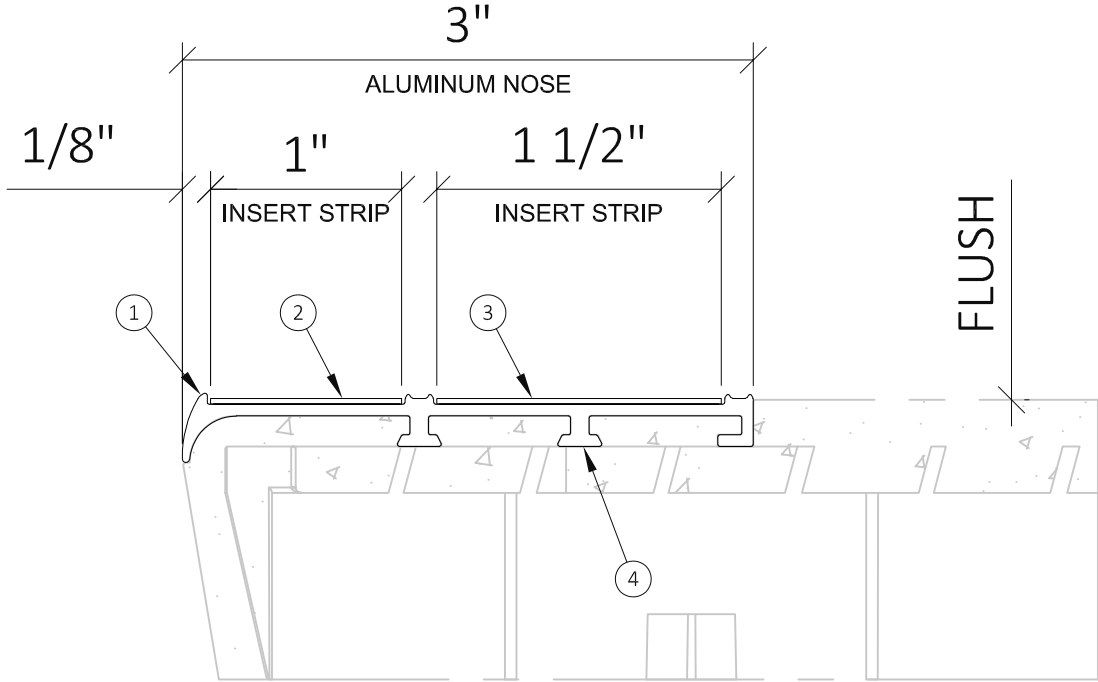


RHINO TRED - STNC3 EMBEDDED

3" ABRASIVE + CONTRASTING STRIPE OR PHOTOLUMINESCENT NOSING
(SHOP APPLIED ONLY)



SAFE-T-NOSE SPECIFICATIONS:

- ①. EXTRUDED ALUMINUM ALLOY 6063-T5
 - (a) Mill Finish
 - (b) Clear Anodize
 - (c) Yellow Powder Coat
 - (d) Black Powder Coat
- ②. 1" INSERT STRIP (shop applied):
 - (a) Photo-Glo STNF
 - (b) Photo-Glo S9203
 - (c) Traction Yellow
 - (d) Traction Black
- ③. 1 1/2" INSERT STRIP (shop applied):
 - (a) Photo-Glo STNF
 - (b) Photo-Glo S9203
 - (c) Traction Yellow
 - (d) Traction Black
 - (e) Ribbed Aluminum
- ④. ATTACHMENT:
 - Cast In Place (embedded shop applied)
- 5. NOSING LENGTH: Equal To Tread Width
- 6. ASTM 2072 / UL 1994

Safe-T-Nose®
 WWW.SAFETNOSE.COM
 1-855-723-6673
 SALES@SAFETNOSE.COM

		
(971) 772-4553 sales@nationalstair.com www.nationalstair.com		
RHINO TRED - STNS FLUSH MOUNT MODEL # RT-PC150-SG-STNS		
	SCALE: N.T.S.	DWG #: RT-0.5