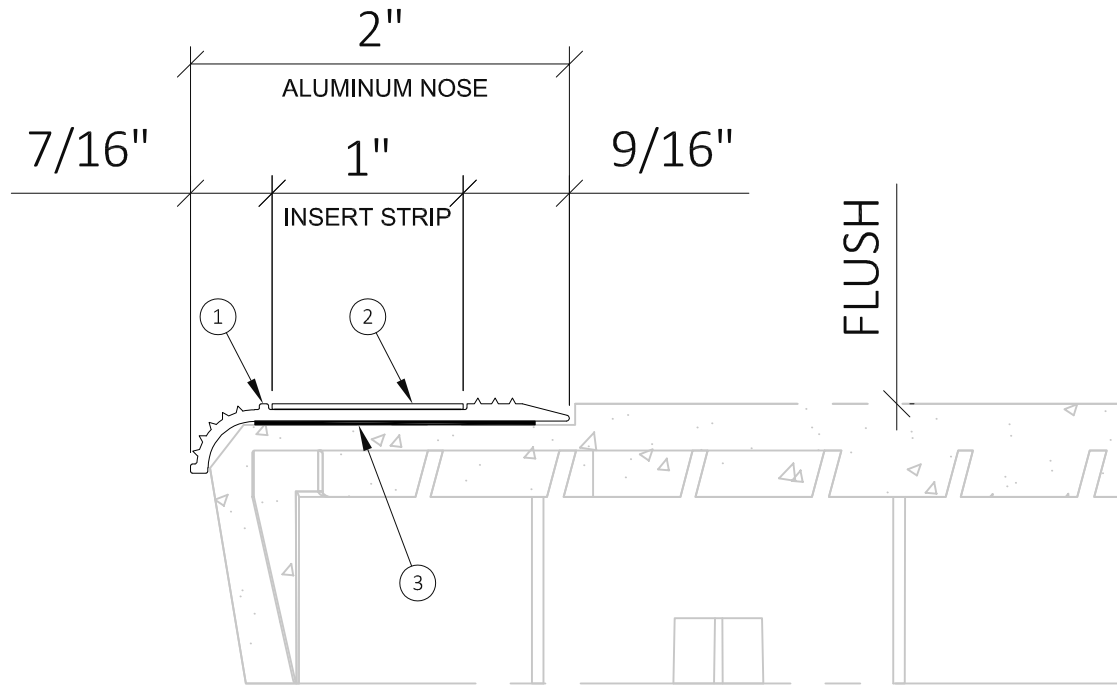


RHINO TRED - STNR FLUSH MOUNT

2" ABRASIVE + CONTRASTING STRIPE OR PHOTOLUMINESCENT NOSING
(SHOP APPLIED ONLY)



SAFE-T-NOSE SPECIFICATIONS:

1. EXTRUDED ALUMINUM ALLOY 6063-T5
 - (a) Mill Finish
 - (b) Clear Anodize
 - (c) Yellow Powder Coat
 - (d) Black Powder Coat
2. 1" INSERT STRIP (shop applied):
 - (a) Photo-Glo STNF
 - (b) Photo-Glo S9203
 - (c) Traction Yellow
 - (d) Traction Black
 - (e) Ribbed Aluminum
3. ATTACHMENT:
 - (a) Liquid Adhesive (shop applied)
4. NOSING LENGTH: Equal To Tread Width
5. ASTM 2072 / UL 1994

Safe-T-Nose®
WWW.SAFETNOSE.COM

1-855-723-6673
SALES@SAFETNOSE.COM



(971) 772-4553 | sales@nationalstair.com | www.nationalstair.com

RHINO TRED - STNR FLUSH MOUNT
MODEL # RT-PC150-SG-STNR



SCALE: N.T.S.

DWG #: RT-0.3