

UNIVERSAL CLOSED RISER METAL STAIR PAN

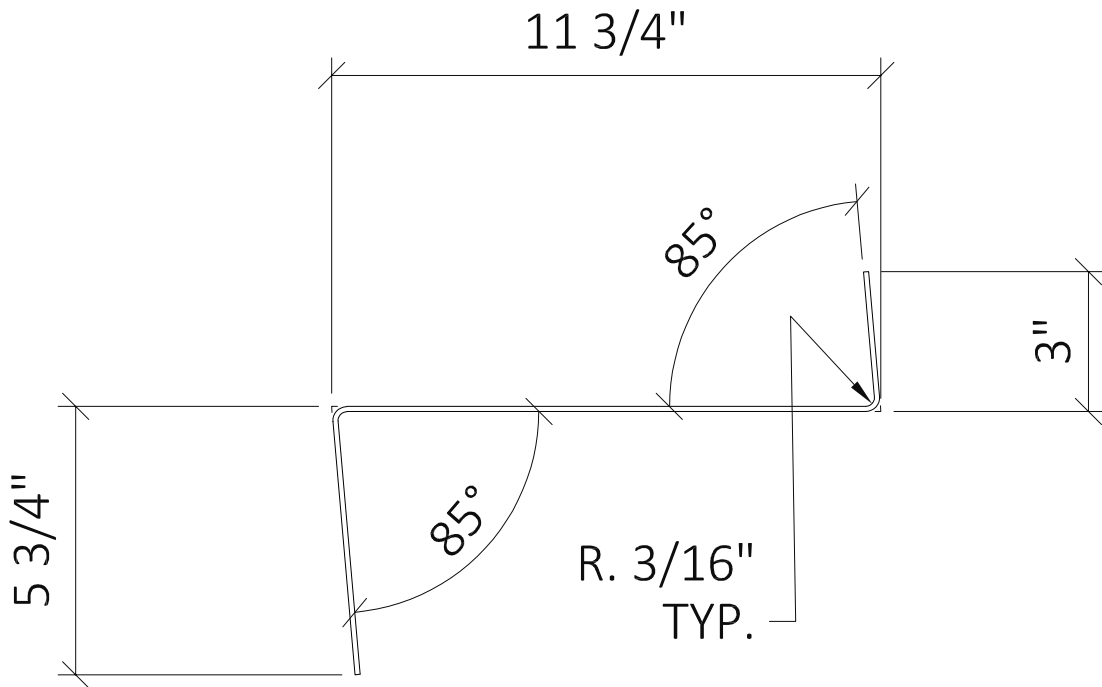
SUGGESTED 12 GA. STEEL

RHINO TRED REQUIRES METAL SUPPORT PAN TO CONFORM TO:

I.B.C. CODE TABLE 1607.1

100 PSF - UNIFORM LOAD

300 LBS - CONCENTRATED LOAD



(971) 772-4553 | sales@nationalstair.com | www.nationalstair.com

RHINO TRED
UNIVERSAL CLOSED RISER METAL PAN



SCALE: N.T.S.

DWG #: RT-0.1