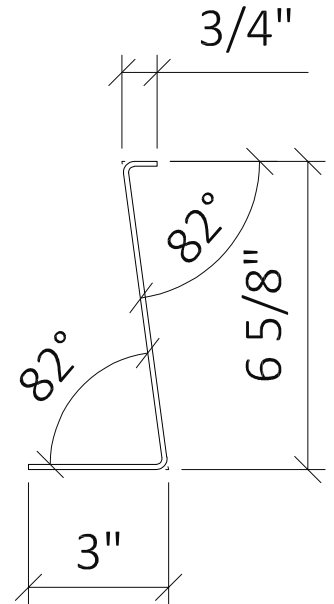
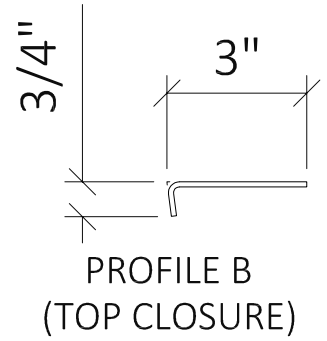
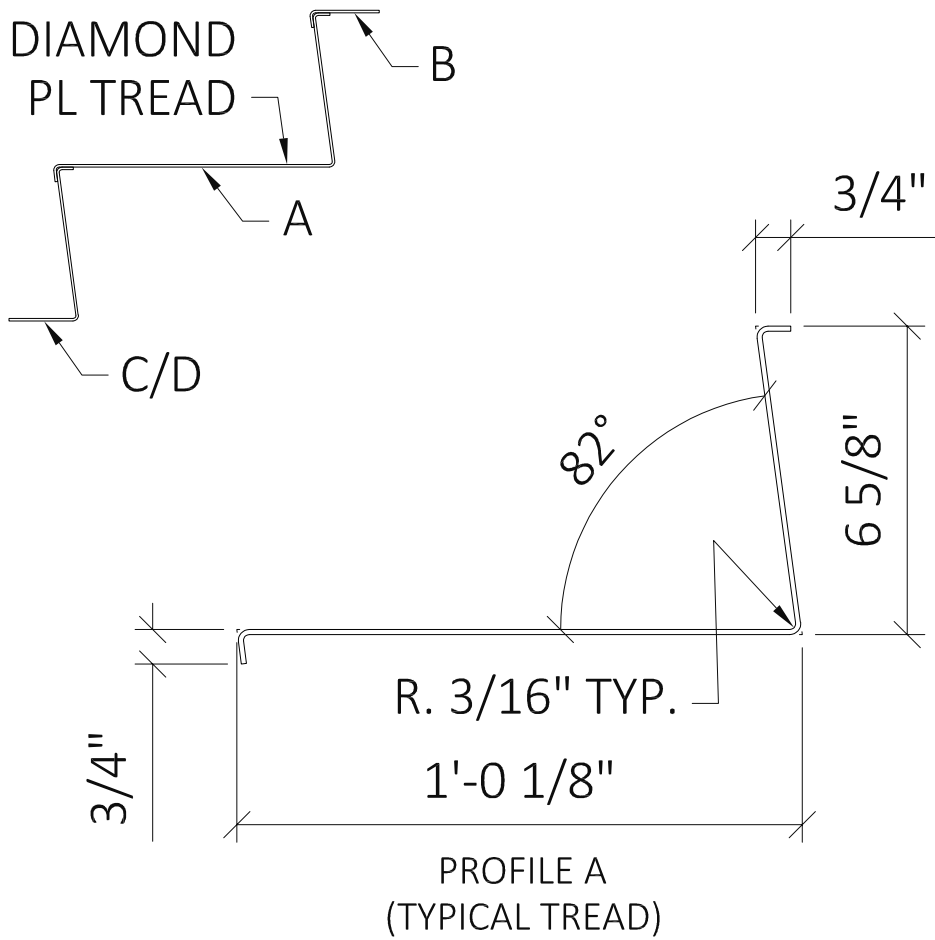
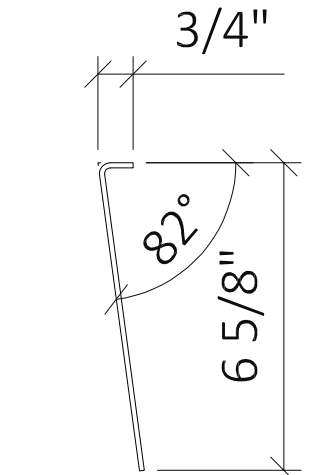


DIRECTIONS: MARKUP SHOWN DIMENSIONS AND COMPLETE TABLE FIELDS.



PROFILE C
(BOT. CLOSURE)



PROFILE D
(BOT. CLOSURE)

CUSTOMER	ORDER #/ PROJECT	ON SITE DATE

PROFILE	FINISH	GAUGE	QTY	LENGTH	MARK



NATIONAL
STAIR PRODUCTS

(971) 772-4553 | sales@nationalstair.com | www.nationalstair.com

ORDER FORM
CHECKER/DIAMOND PLATE STAIR PAN



SCALE: N.T.S.

DWG #:

P-4A