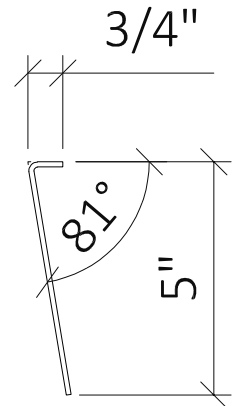
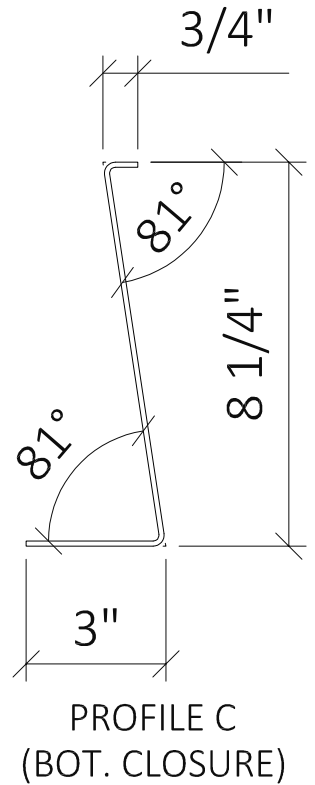
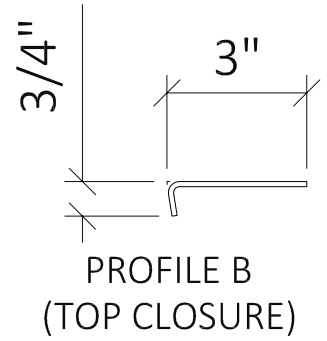
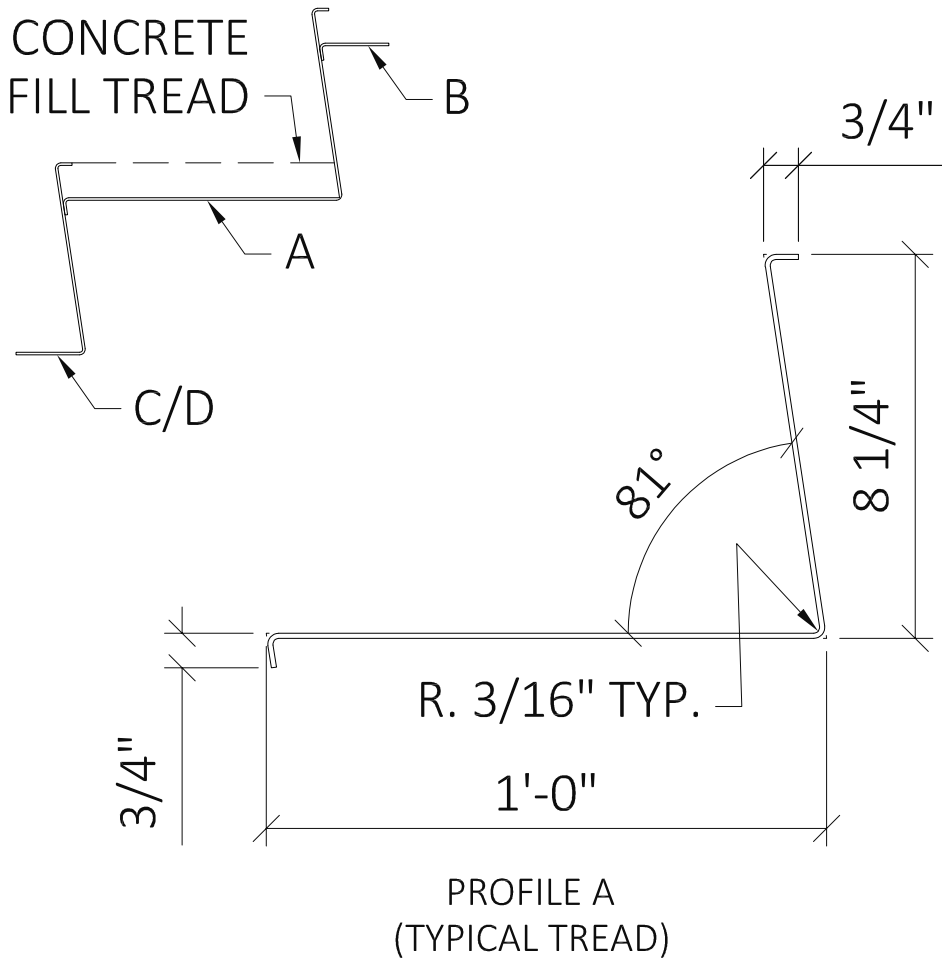


DIRECTIONS: MARKUP SHOWN DIMENSIONS AND COMPLETE TABLE FIELDS.



CUSTOMER	ORDER #/ PROJECT	ON SITE DATE

PROFILE	FINISH	GAUGE	QTY	LENGTH	MARK

**NSP** | NATIONAL STAIR PRODUCTS

(971) 772-4553 | sales@nationalstair.com | www.nationalstair.com

ORDER FORM  
CONCRETE FILLED STAIR PAN



SCALE: N.T.S.

DWG #:

P-3A