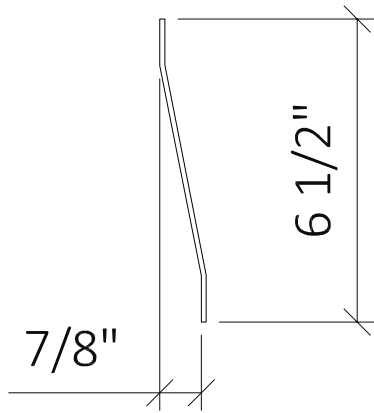
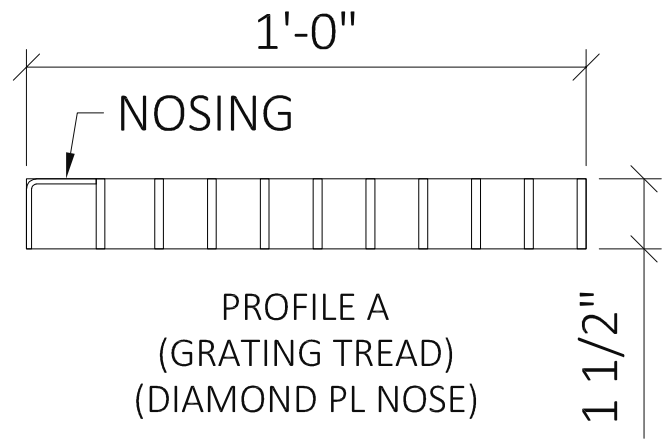
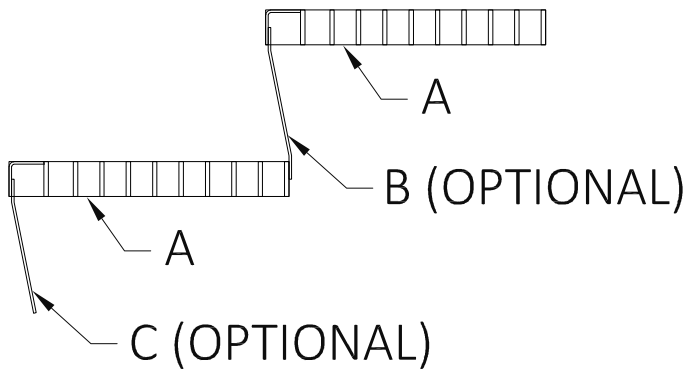
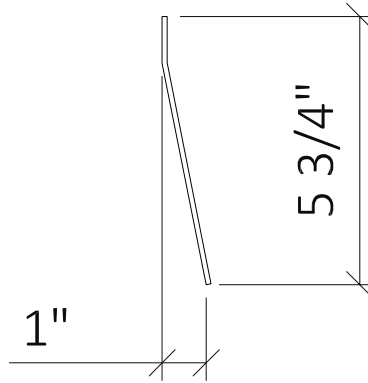


DIRECTIONS: MARKUP SHOWN DIMENSIONS AND COMPLETE TABLE FIELDS.



PROFILE B
(TYPICAL RISER CLOSURE)



PROFILE C
(BOT. RISER CLOSURE)

CUSTOMER	ORDER #/ PROJECT	ON SITE DATE

PROFILE	FINISH	QTY	LENGTH	MARK



(971) 772-4553 | sales@nationalstair.com | www.nationalstair.com

ORDER FORM
GRATING STAIR TREAD



SCALE: N.T.S.

DWG #:

P-5A