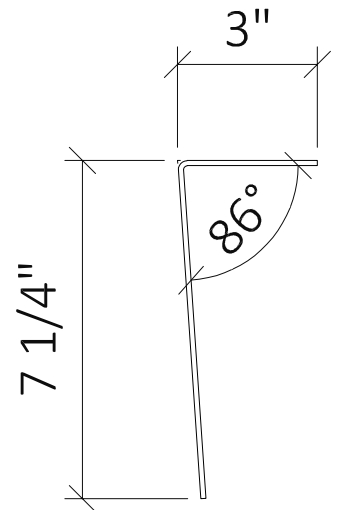
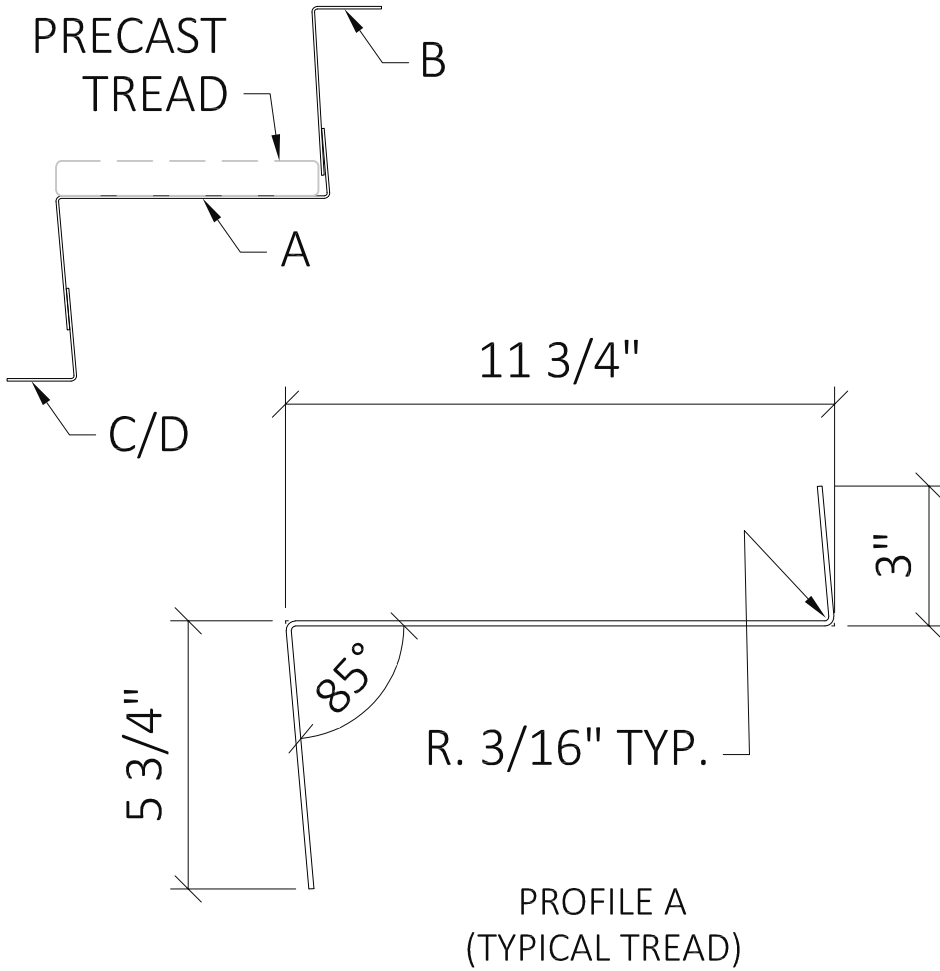
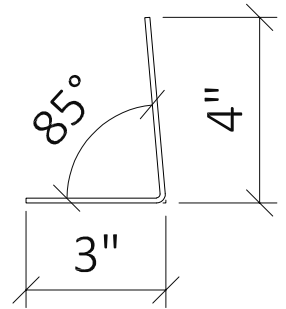


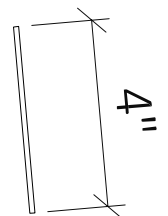
DIRECTIONS: MARKUP SHOWN DIMENSIONS AND COMPLETE TABLE FIELDS.



PROFILE B
(TOP CLOSURE)



PROFILE C
(BOT. CLOSURE)



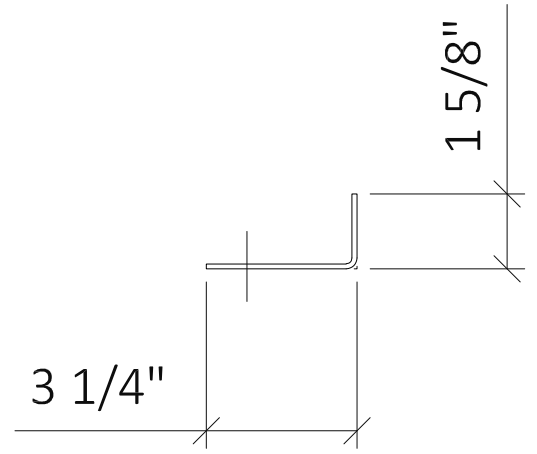
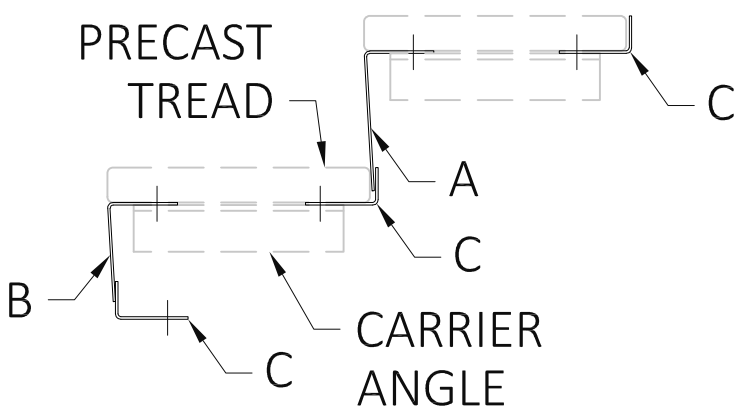
PROFILE D
(BOT. CLOSURE)

PROFILE A
(TYPICAL TREAD)

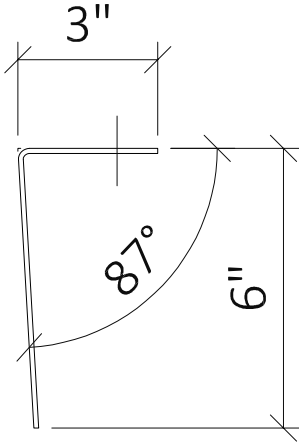
CUSTOMER	ORDER #/ PROJECT	ON SITE DATE

PROFILE	FINISH	GAUGE	QTY	LENGTH	MARK

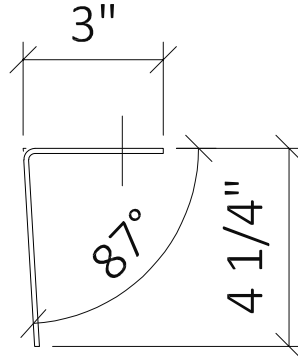
DIRECTIONS: MARKUP SHOWN DIMENSIONS AND COMPLETE TABLE FIELDS.



PROFILE C
(TOP CLOSURE,
TREAD SUPPORT,
BOT. CLOSURE)



PROFILE A
(TYPICAL RISER)



PROFILE B
(STARTER RISER)

CUSTOMER	ORDER #/ PROJECT	ON SITE DATE

PROFILE	FINISH	GAUGE	QTY	LENGTH	MARK



(971) 772-4553 | sales@nationalstair.com | www.nationalstair.com

ORDER FORM
UNIVERSAL RISER CLOSURE

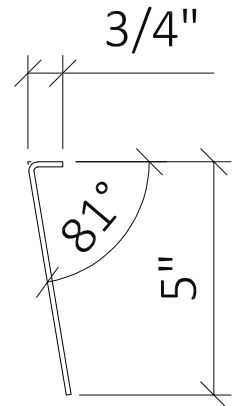
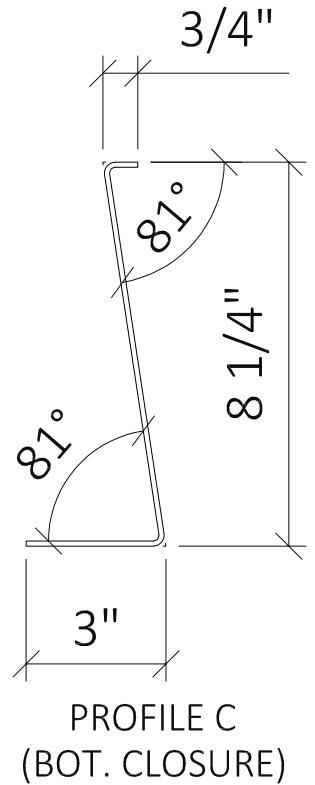
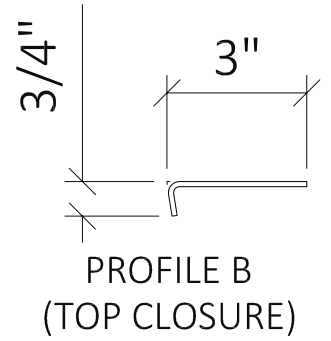
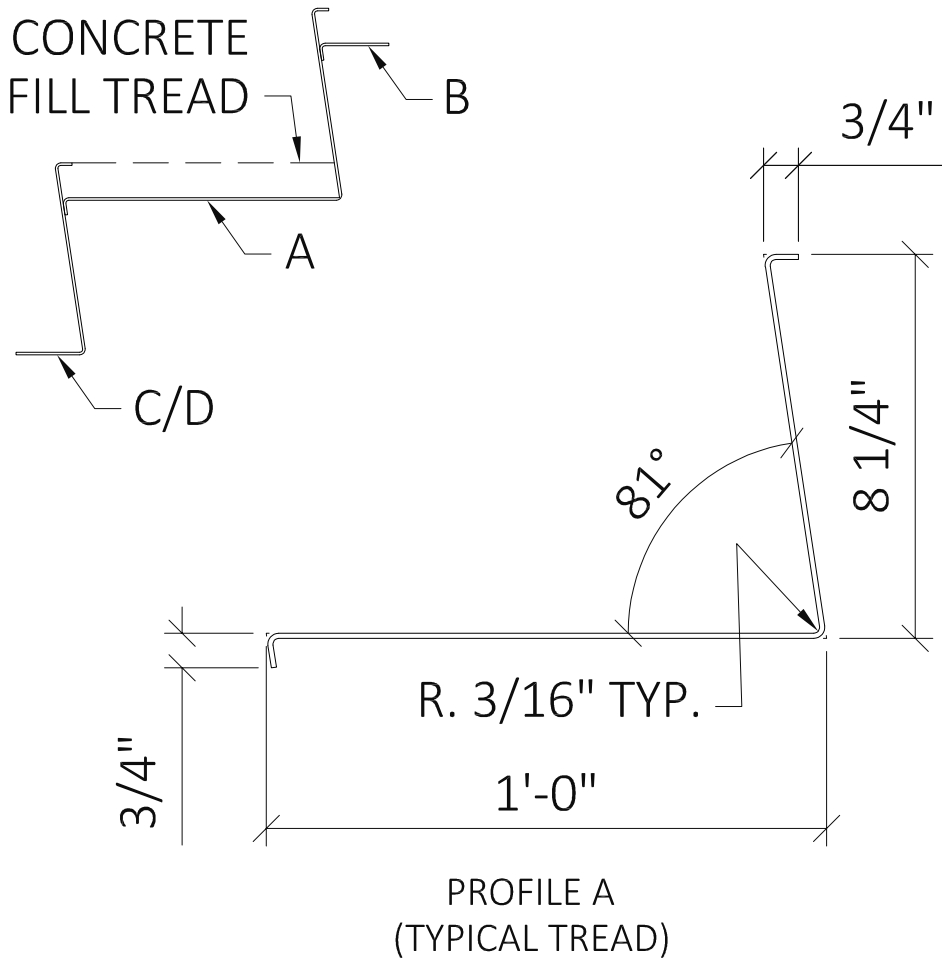


SCALE: N.T.S.

DWG #:

P-2A

DIRECTIONS: MARKUP SHOWN DIMENSIONS AND COMPLETE TABLE FIELDS.



CUSTOMER	ORDER #/ PROJECT	ON SITE DATE

PROFILE	FINISH	GAUGE	QTY	LENGTH	MARK

NSP | NATIONAL STAIR PRODUCTS

(971) 772-4553 | sales@nationalstair.com | www.nationalstair.com

ORDER FORM
CONCRETE FILLED STAIR PAN

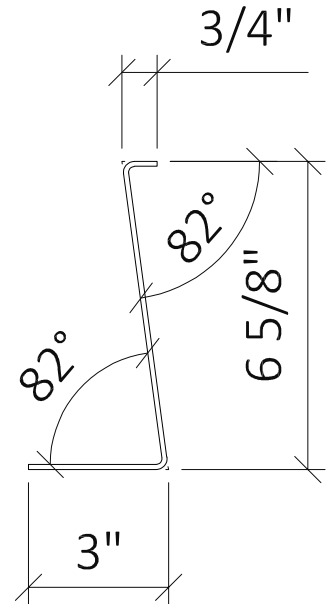
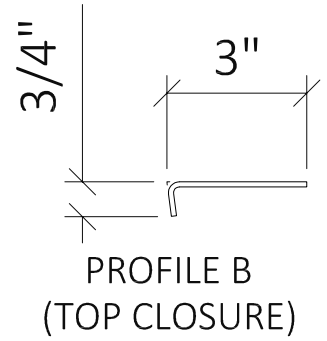
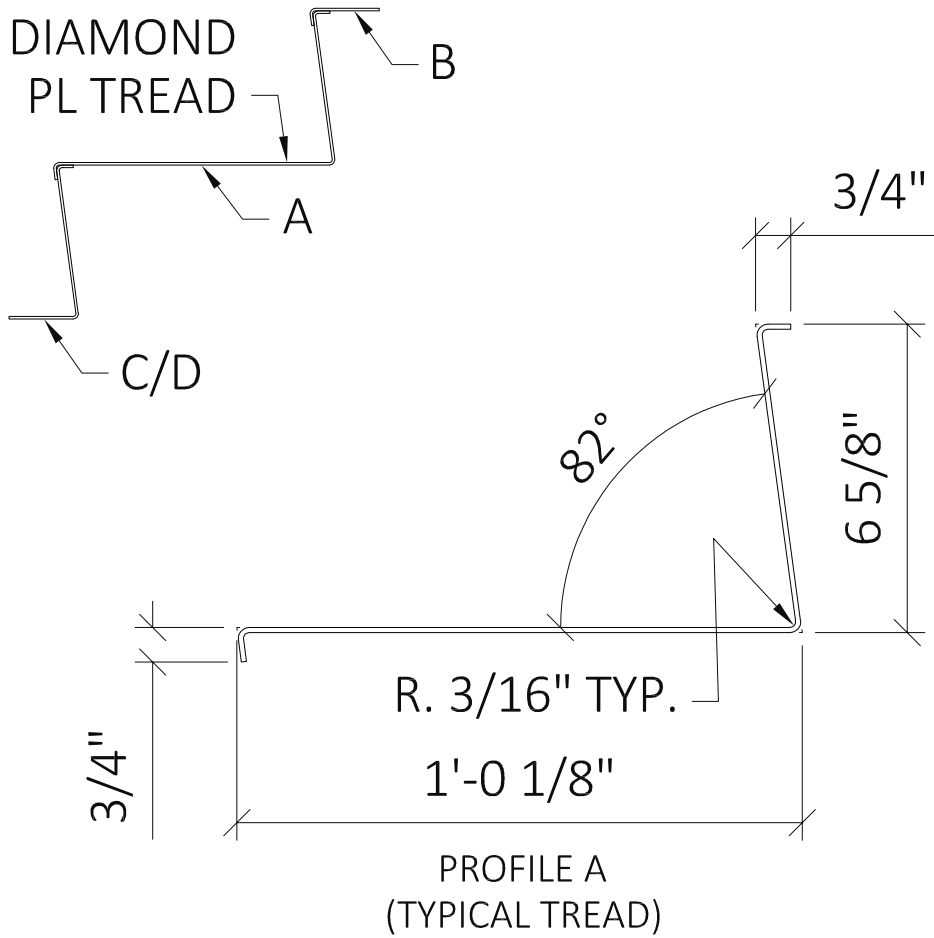


SCALE: N.T.S.

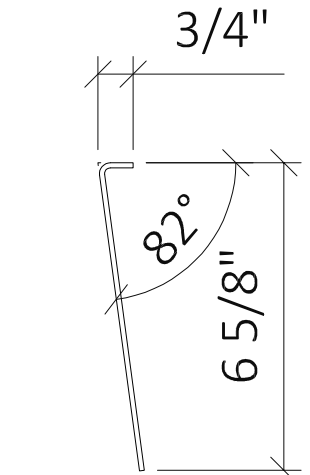
DWG #:

P-3A

DIRECTIONS: MARKUP SHOWN DIMENSIONS AND COMPLETE TABLE FIELDS.



PROFILE C
(BOT. CLOSURE)



PROFILE D
(BOT. CLOSURE)

CUSTOMER	ORDER #/ PROJECT	ON SITE DATE

PROFILE	FINISH	GAUGE	QTY	LENGTH	MARK



NATIONAL
STAIR PRODUCTS

(971) 772-4553 | sales@nationalstair.com | www.nationalstair.com

ORDER FORM
CHECKER/DIAMOND PLATE STAIR PAN

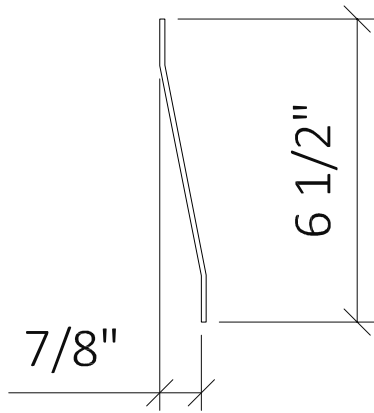
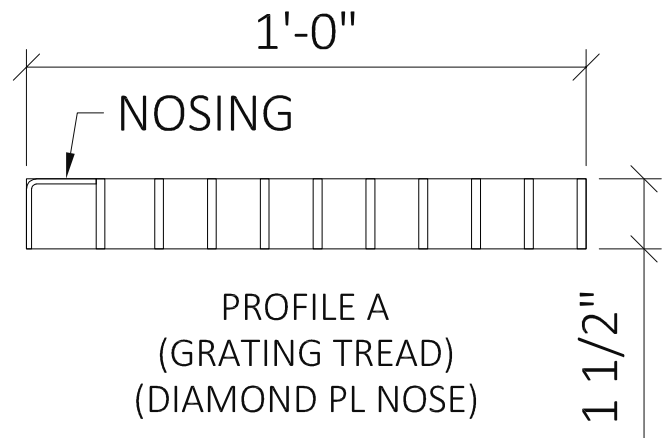
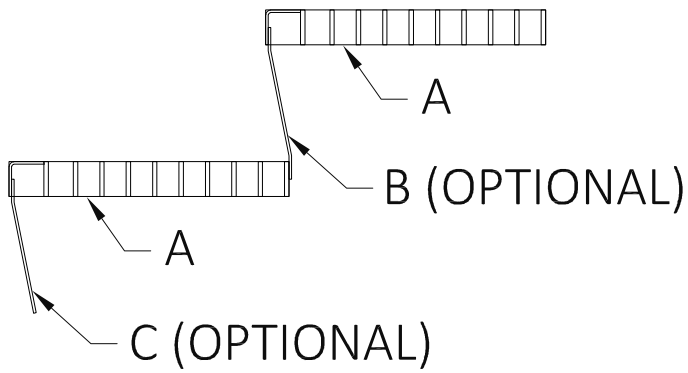


SCALE: N.T.S.

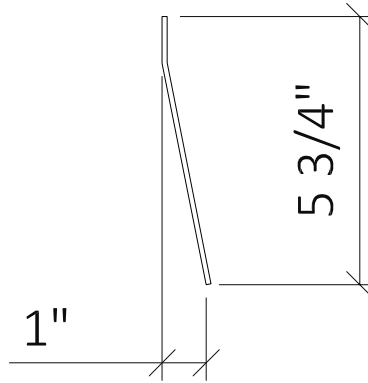
DWG #:

P-4A

DIRECTIONS: MARKUP SHOWN DIMENSIONS AND COMPLETE TABLE FIELDS.



PROFILE B
(TYPICAL RISER CLOSURE)



PROFILE C
(BOT. RISER CLOSURE)

CUSTOMER	ORDER #/ PROJECT	ON SITE DATE

PROFILE	FINISH	QTY	LENGTH	MARK

NSP | NATIONAL STAIR PRODUCTS

(971) 772-4553 | sales@nationalstair.com | www.nationalstair.com

ORDER FORM
GRATING STAIR TREAD



SCALE: N.T.S.

DWG #: P-5A