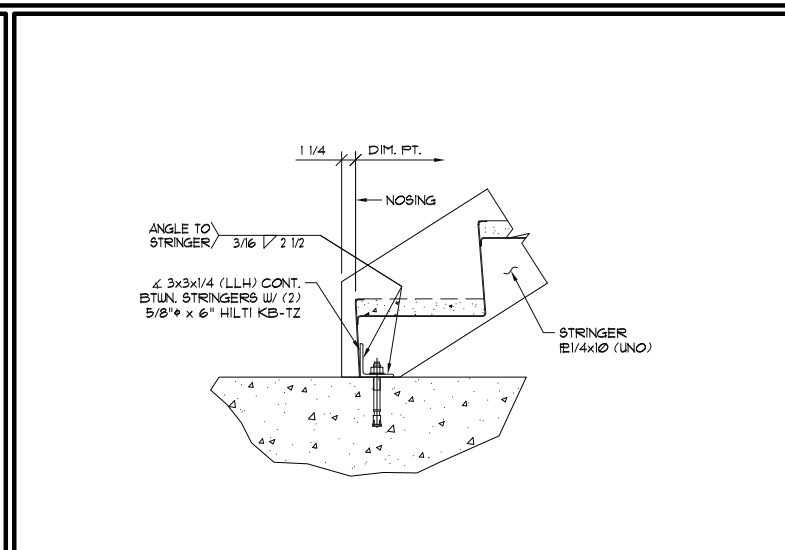


**PACIFIC STAIR CORPORATION**  
8690 Star Way NE Salem, OR 97305  
www.pacificstair.com 1 503.390.8305

**TREAD / RISER CONSTRUCTION**

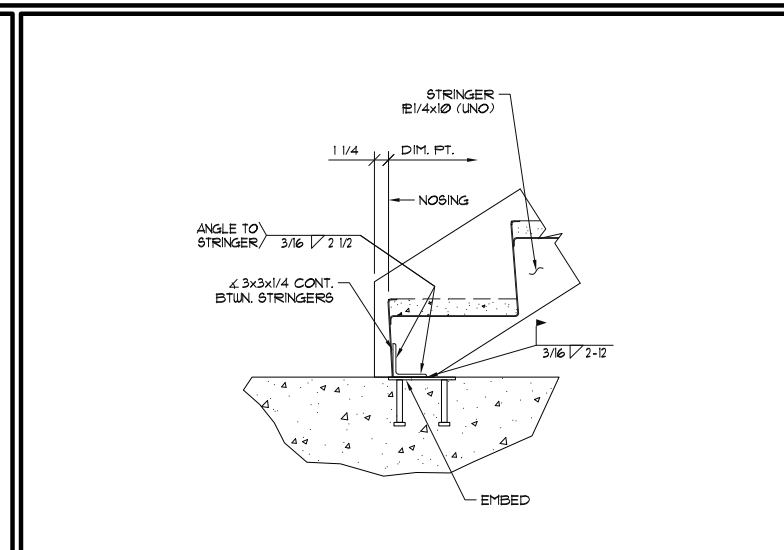
CONCRETE FILL  
**S101**



**PACIFIC STAIR CORPORATION**  
8690 Star Way NE Salem, OR 97305  
www.pacificstair.com 1 503.390.8305

**CONNECTION TO CONCRETE SLAB WITH ANCHOR**

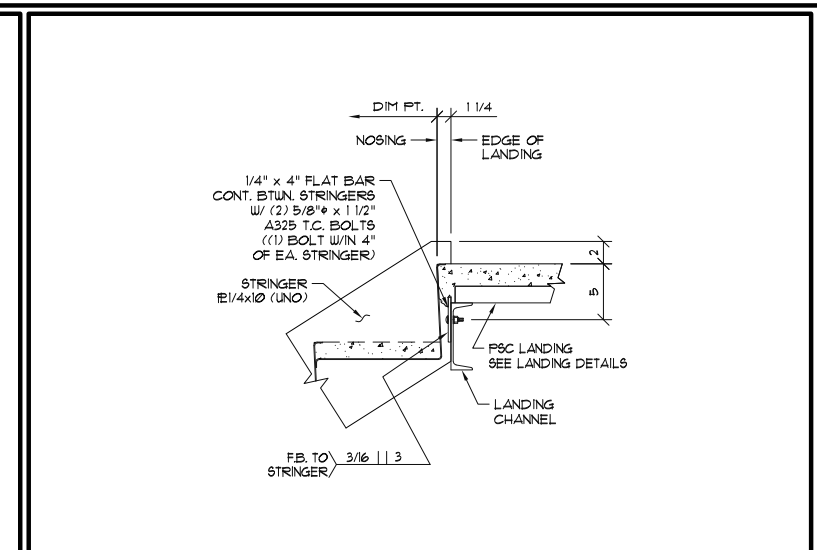
CONCRETE FILL  
**S112**



**PACIFIC STAIR CORPORATION**  
8690 Star Way NE Salem, OR 97305  
www.pacificstair.com 1 503.390.8305

**CONNECTION TO CONCRETE SLAB WITH EMBED**

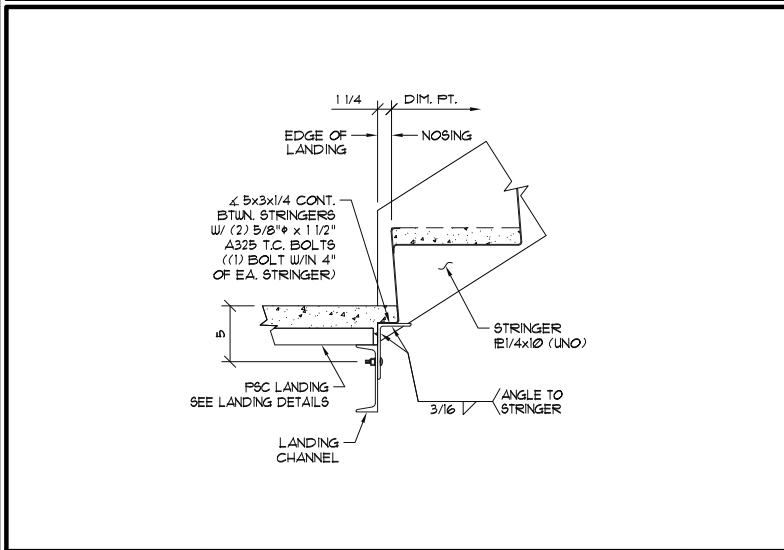
CONCRETE FILL  
**S113**



**PACIFIC STAIR CORPORATION**  
8690 Star Way NE Salem, OR 97305  
www.pacificstair.com 1 503.390.8305

**STANDARD TOP CONNECTION TO STEEL LANDING**

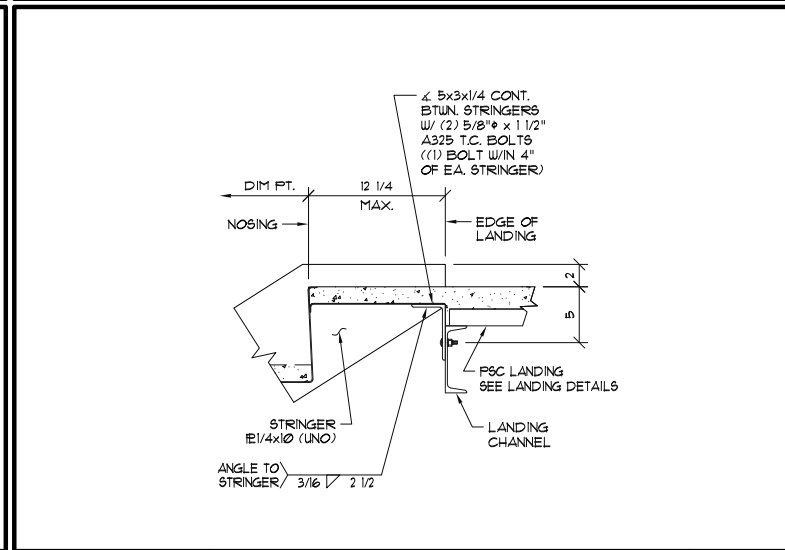
CONCRETE FILL  
**S120**



**PACIFIC STAIR CORPORATION**  
8690 Star Way NE Salem, OR 97305  
www.pacificstair.com 1 503.390.8305

**STANDARD BOTTOM CONNECTION TO STEEL LANDING**

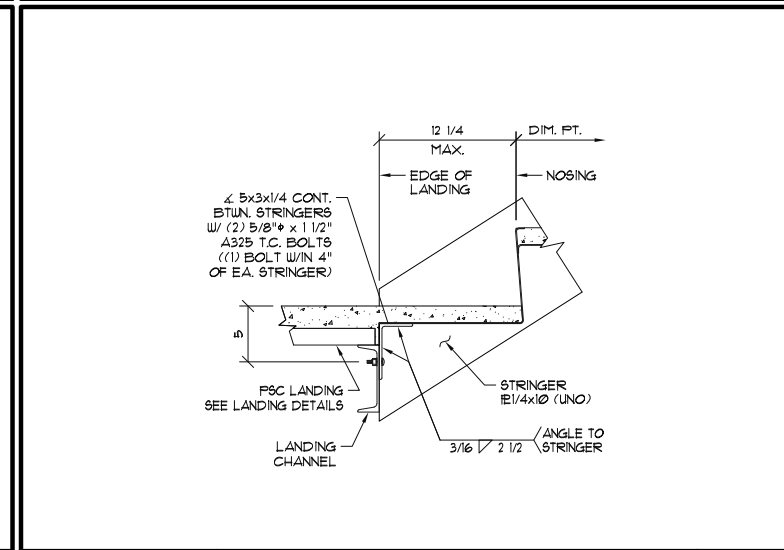
CONCRETE FILL  
**S121**



**PACIFIC STAIR CORPORATION**  
8690 Star Way NE Salem, OR 97305  
www.pacificstair.com 1 503.390.8305

**EXTENDED TOP CONNECTION TO STEEL LANDING**

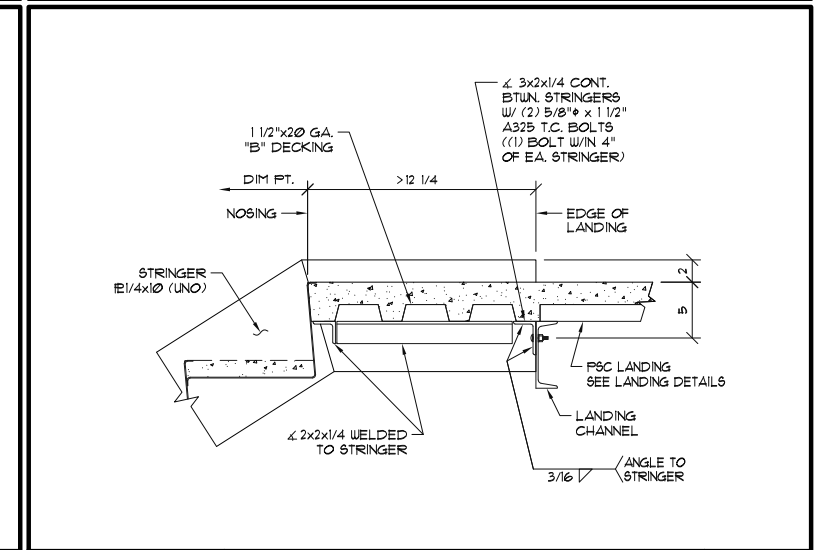
CONCRETE FILL  
**S122**



**PACIFIC STAIR CORPORATION**  
8690 Star Way NE Salem, OR 97305  
www.pacificstair.com 1 503.390.8305

**EXTENDED BOTTOM CONNECTION TO STEEL LANDING**

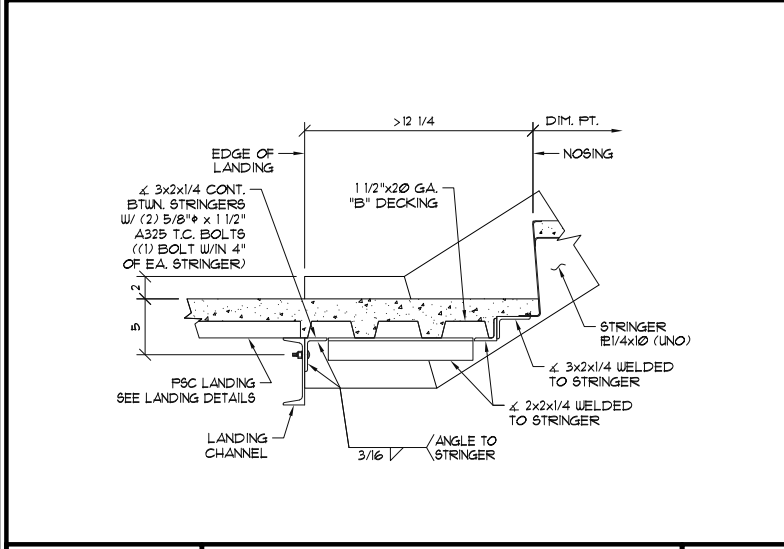
CONCRETE FILL  
**S123**



**PACIFIC STAIR CORPORATION**  
8690 Star Way NE Salem, OR 97305  
www.pacificstair.com 1 503.390.8305

**HAUNCH TOP CONNECTION TO STEEL LANDING**

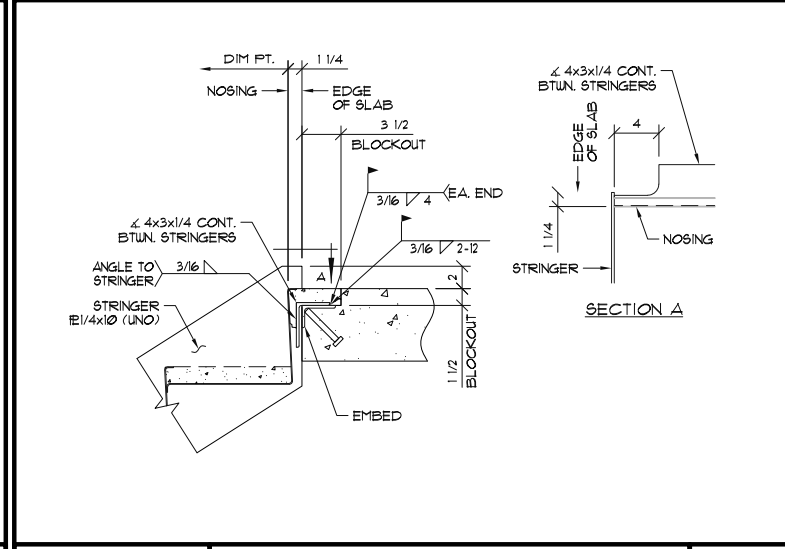
CONCRETE FILL  
**S124**



**PACIFIC STAIR CORPORATION**  
8690 Star Way NE Salem, OR 97305  
www.pacificstair.com 1 503.390.8305

**HAUNCH BOTTOM CONNECTION TO STEEL LANDING**

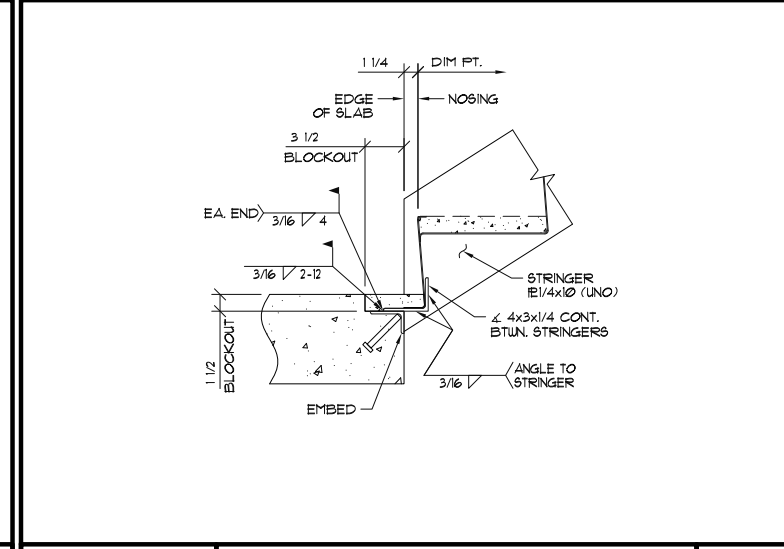
CONCRETE FILL  
**S125**



**PACIFIC STAIR CORPORATION**  
8690 Star Way NE Salem, OR 97305  
www.pacificstair.com 1 503.390.8305

**STANDARD TOP CONNECTION TO EMBED**

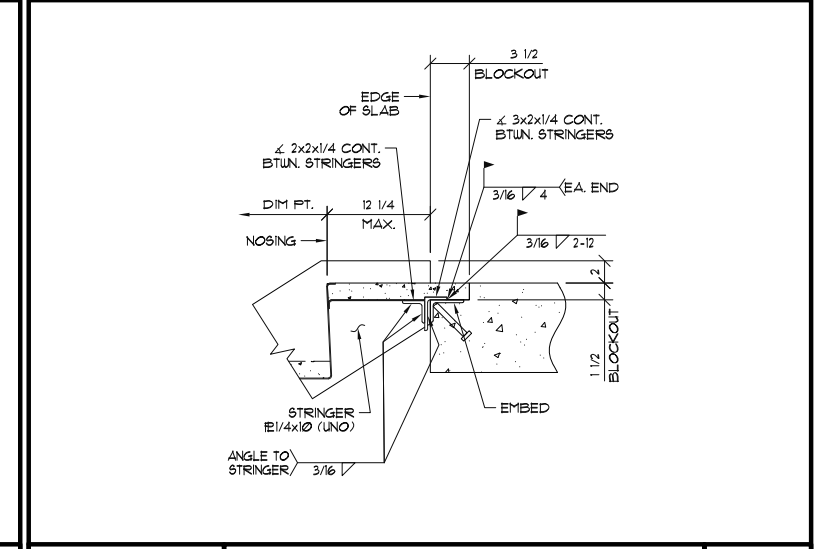
CONCRETE FILL  
**S130**



**PACIFIC STAIR CORPORATION**  
8690 Star Way NE Salem, OR 97305  
www.pacificstair.com 1 503.390.8305

**STANDARD BOTTOM CONNECTION TO EMBED**

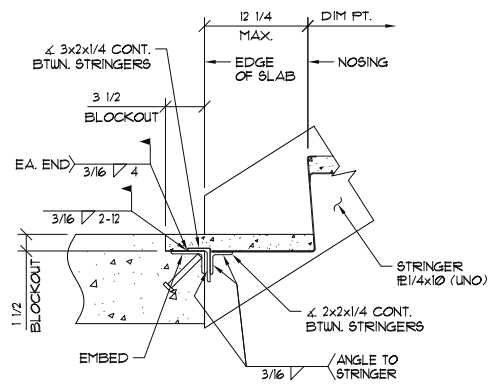
CONCRETE FILL  
**S131**



**PACIFIC STAIR CORPORATION**  
8690 Star Way NE Salem, OR 97305  
www.pacificstair.com 1 503.390.8305

**EXTENDED TOP CONNECTION TO EMBED**

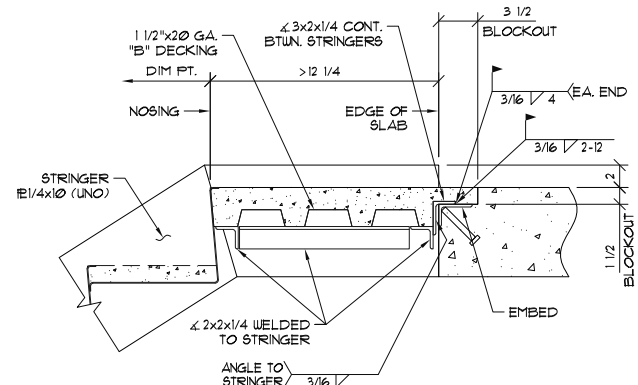
CONCRETE FILL  
**S132**



**PACIFIC STAIR CORPORATION**  
 8690 Stair Way NE Salem, OR 97305  
 www.pacificstair.com 1 503.390.8305

**EXTENDED BOTTOM CONNECTION TO EMBED**  
 I. SEE 9101 FOR TREAD / RISER CONSTRUCTION

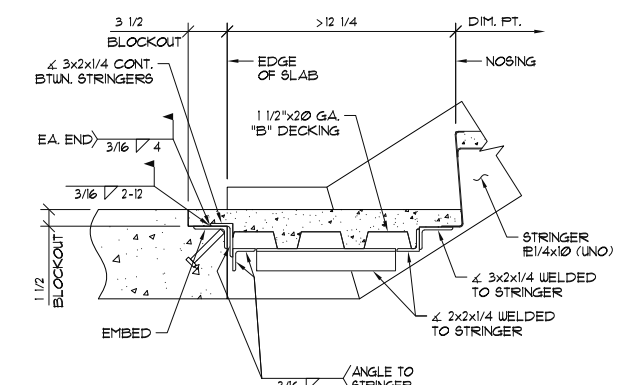
CONCRETE FILL  
**S133**



**PACIFIC STAIR CORPORATION**  
 8690 Stair Way NE Salem, OR 97305  
 www.pacificstair.com 1 503.390.8305

**HAUNCH TOP CONNECTION TO EMBED**  
 I. SEE 9101 FOR TREAD / RISER CONSTRUCTION

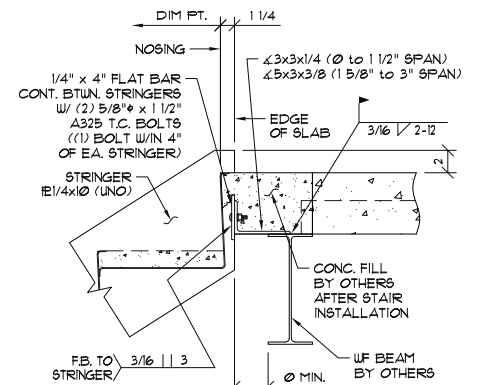
CONCRETE FILL  
**S134**



**PACIFIC STAIR CORPORATION**  
 8690 Stair Way NE Salem, OR 97305  
 www.pacificstair.com 1 503.390.8305

**HAUNCH BOTTOM CONNECTION TO EMBED**  
 I. SEE 9101 FOR TREAD / RISER CONSTRUCTION

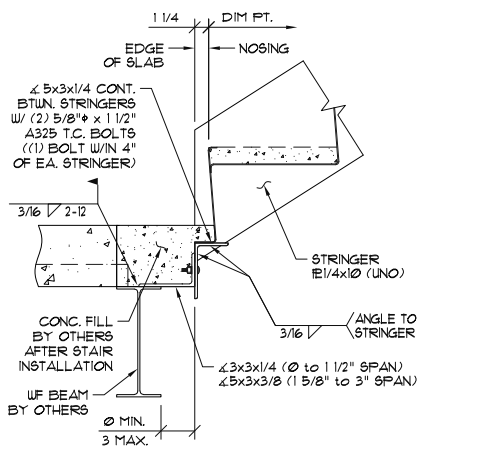
CONCRETE FILL  
**S135**



**PACIFIC STAIR CORPORATION**  
 8690 Stair Way NE Salem, OR 97305  
 www.pacificstair.com 1 503.390.8305

**STANDARD TOP CONNECTION TO STRUCTURAL STEEL**  
 I. SEE 9101 FOR TREAD / RISER CONSTRUCTION

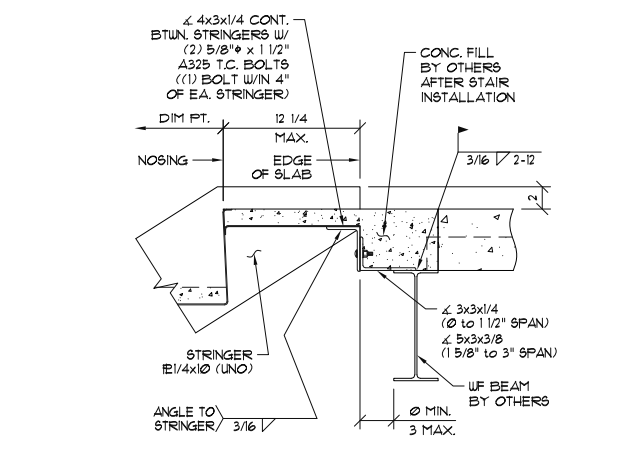
CONCRETE FILL  
**S140**



**PACIFIC STAIR CORPORATION**  
 8690 Stair Way NE Salem, OR 97305  
 www.pacificstair.com 1 503.390.8305

**STANDARD BOTTOM CONNECTION TO STRUCTURAL STEEL**  
 I. SEE 9101 FOR TREAD / RISER CONSTRUCTION

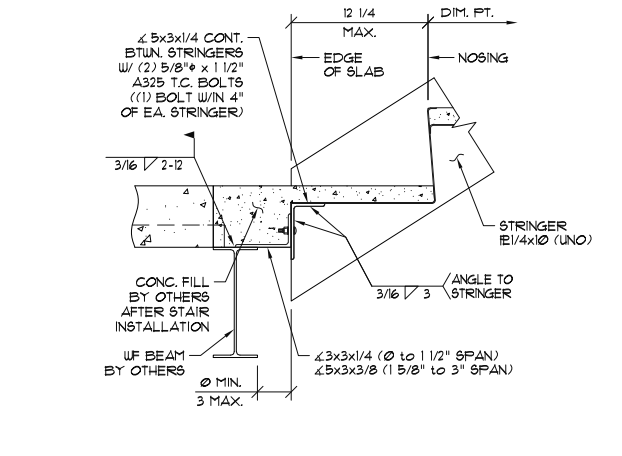
CONCRETE FILL  
**S141**



**PACIFIC STAIR CORPORATION**  
 8690 Stair Way NE Salem, OR 97305  
 www.pacificstair.com 1 503.390.8305

**EXTENDED TOP CONNECTION TO STRUCTURAL STEEL**  
 I. SEE 9101 FOR TREAD / RISER CONSTRUCTION

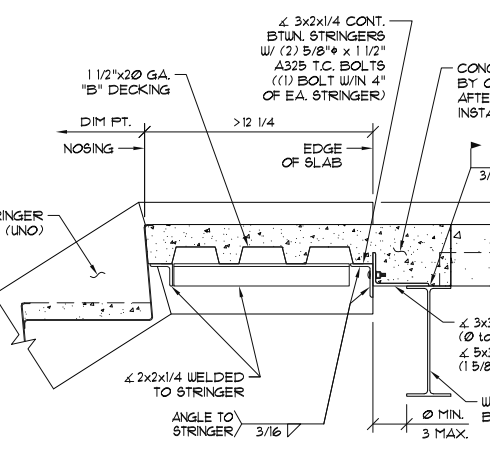
CONCRETE FILL  
**S142**



**PACIFIC STAIR CORPORATION**  
 8690 Stair Way NE Salem, OR 97305  
 www.pacificstair.com 1 503.390.8305

**EXTENDED BOTTOM CONNECTION TO STRUCTURAL STEEL**  
 I. SEE 9101 FOR TREAD / RISER CONSTRUCTION

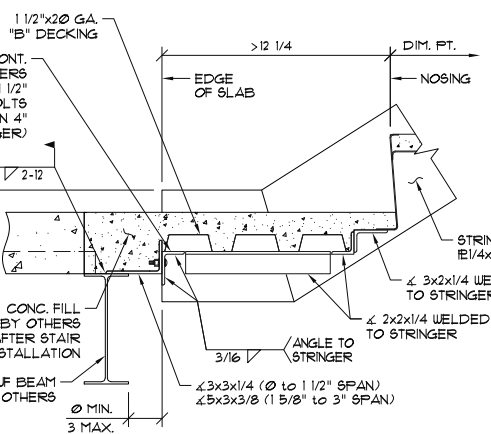
CONCRETE FILL  
**S143**



**PACIFIC STAIR CORPORATION**  
 8690 Stair Way NE Salem, OR 97305  
 www.pacificstair.com 1 503.390.8305

**HAUNCH TOP CONNECTION TO STRUCTURAL STEEL**  
 I. SEE 9101 FOR TREAD / RISER CONSTRUCTION

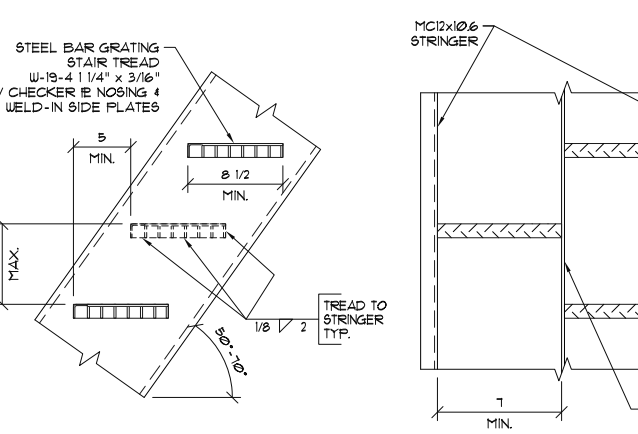
CONCRETE FILL  
**S144**



**PACIFIC STAIR CORPORATION**  
 8690 Stair Way NE Salem, OR 97305  
 www.pacificstair.com 1 503.390.8305

**HAUNCH BOTTOM CONNECTION TO STRUCTURAL STEEL**  
 I. SEE 9101 FOR TREAD / RISER CONSTRUCTION

CONCRETE FILL  
**S145**



**PACIFIC STAIR CORPORATION**  
 8690 Stair Way NE Salem, OR 97305  
 www.pacificstair.com 1 503.390.8305

**ALTERNATING TREAD STAIR / SHIP LADDER**  
 I. NOTE NO CENTER STRINGER AT 91\"/>

MISC.  
**S001**