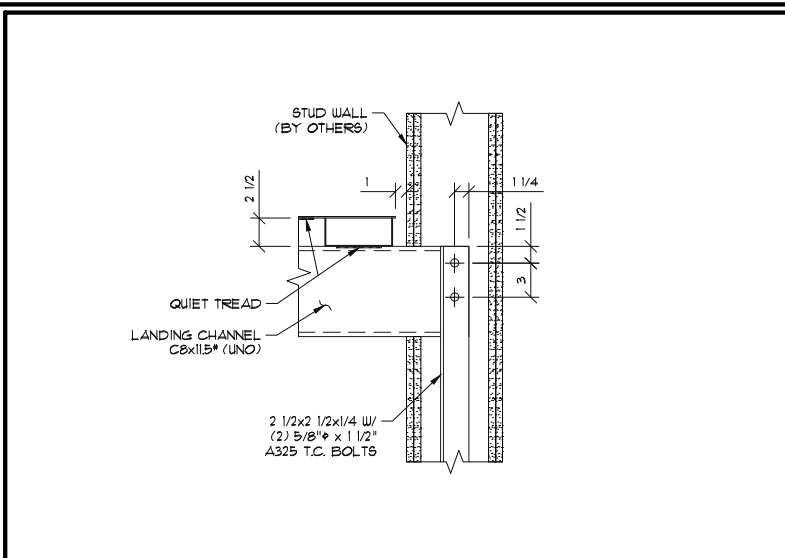


PACIFIC STAIR CORPORATION
 8690 Stair Way NE Salem, OR 97305
 www.pacificstair.com 1.503.390.8305

LANDING CONSTRUCTION

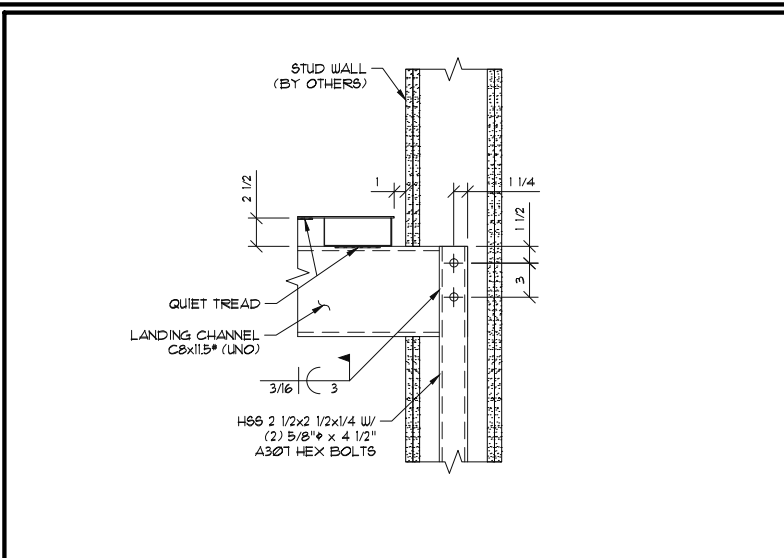
QUIET TREAD
L300



PACIFIC STAIR CORPORATION
 8690 Stair Way NE Salem, OR 97305
 www.pacificstair.com 1.503.390.8305

ANGLE POST CONNECTION
 1. SEE L300 FOR LANDING CONSTRUCTION

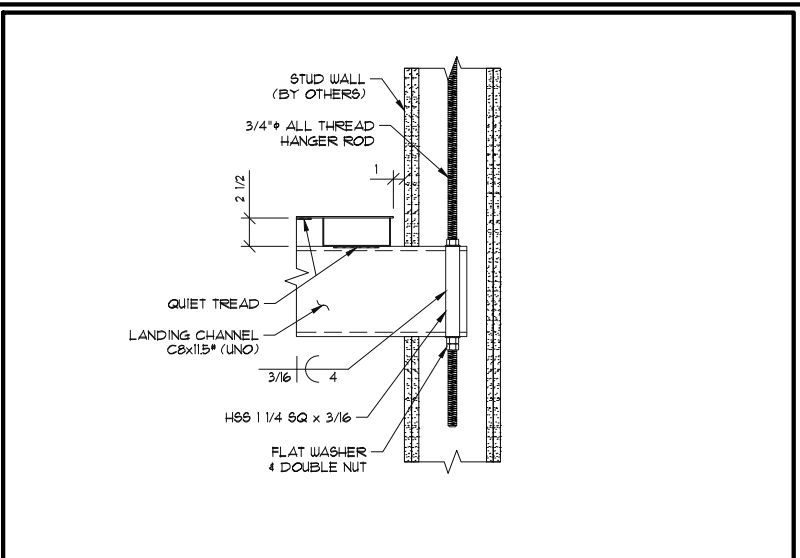
QUIET TREAD
L301



PACIFIC STAIR CORPORATION
 8690 Stair Way NE Salem, OR 97305
 www.pacificstair.com 1.503.390.8305

TUBE STEEL POST CONNECTION
 1. SEE L300 FOR LANDING CONSTRUCTION

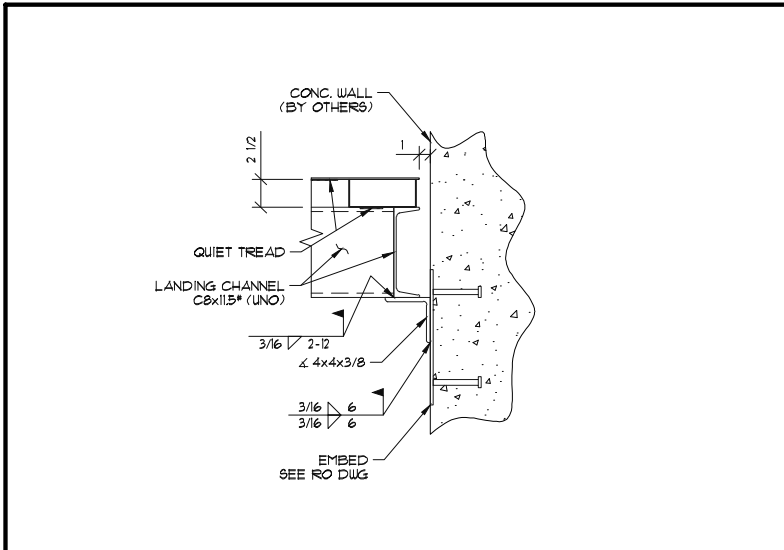
QUIET TREAD
L302



PACIFIC STAIR CORPORATION
 8690 Stair Way NE Salem, OR 97305
 www.pacificstair.com 1.503.390.8305

HANGER ROD CONNECTION
 1. SEE L300 FOR LANDING CONSTRUCTION

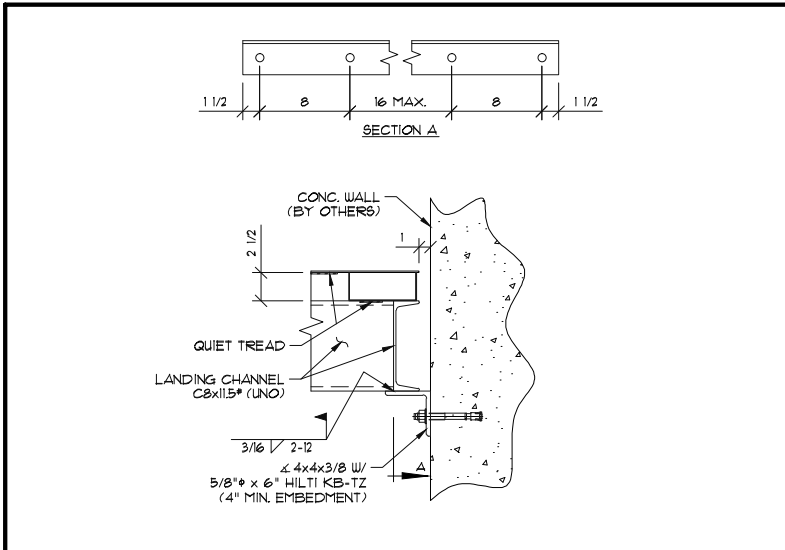
QUIET TREAD
L303



PACIFIC STAIR CORPORATION
 8690 Stair Way NE Salem, OR 97305
 www.pacificstair.com 1.503.390.8305

LEDGER ANGLE CONNECTION TO CONCRETE WALL WITH EMBED
 1. SEE L300 FOR LANDING CONSTRUCTION

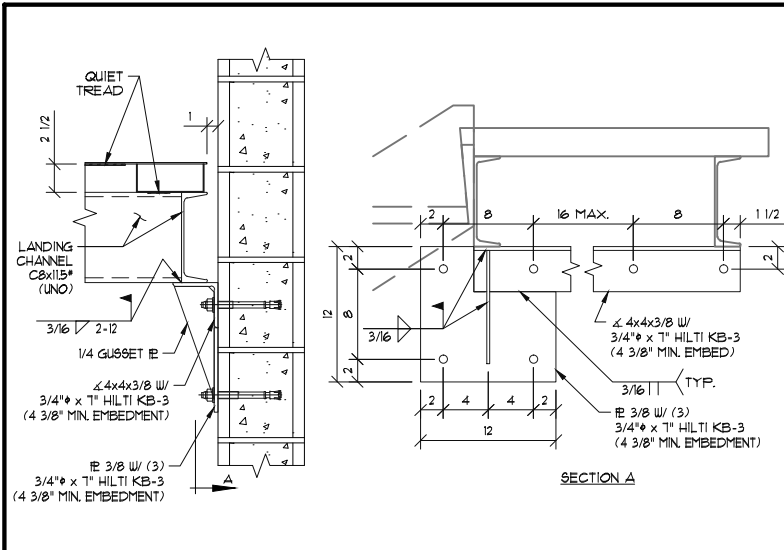
QUIET TREAD
L306



PACIFIC STAIR CORPORATION
 8690 Stair Way NE Salem, OR 97305
 www.pacificstair.com 1.503.390.8305

LEDGER ANGLE CONNECTION TO CONCRETE WALL WITH ANCHOR
 1. SEE L300 FOR LANDING CONSTRUCTION

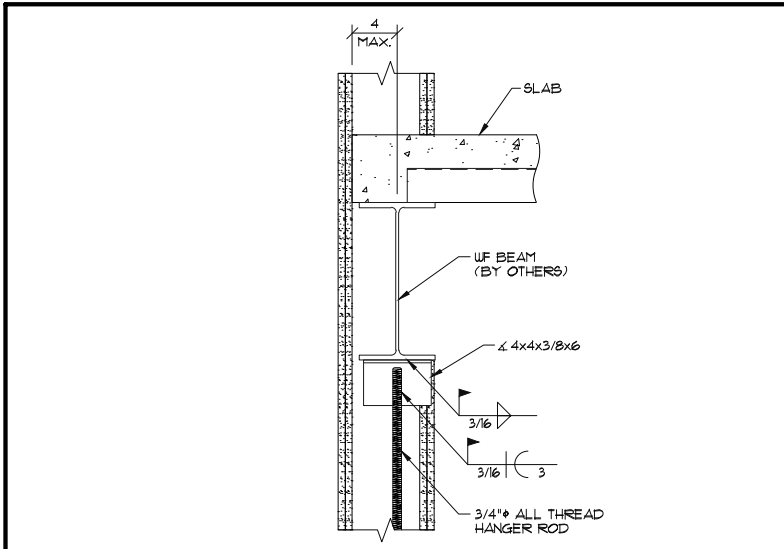
QUIET TREAD
L307



PACIFIC STAIR CORPORATION
 8690 Stair Way NE Salem, OR 97305
 www.pacificstair.com 1.503.390.8305

LEDGER ANGLE CONNECTION TO CMU WALL WITH ANCHOR
 1. SEE L300 FOR LANDING CONSTRUCTION
 2. NOTE: HILTI KB3 ANCHORS TO BE INSTALLED PER ICC-ES EVALUATION REPORT ESR-1328

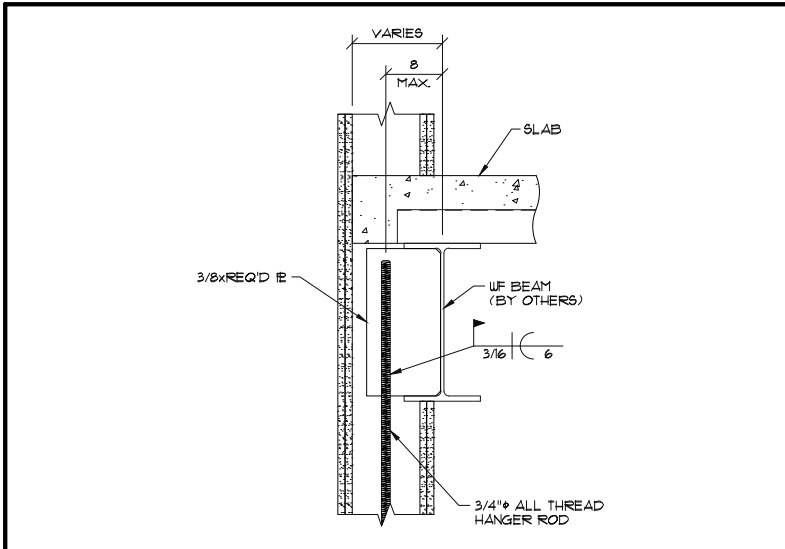
QUIET TREAD
L308



PACIFIC STAIR CORPORATION
 8690 Stair Way NE Salem, OR 97305
 www.pacificstair.com 1.503.390.8305

HANGER ROD CONNECTION AT BOTTOM OF STRUCTURAL STEEL
 1. SEE L100-L600 FOR LANDING CONSTRUCTION

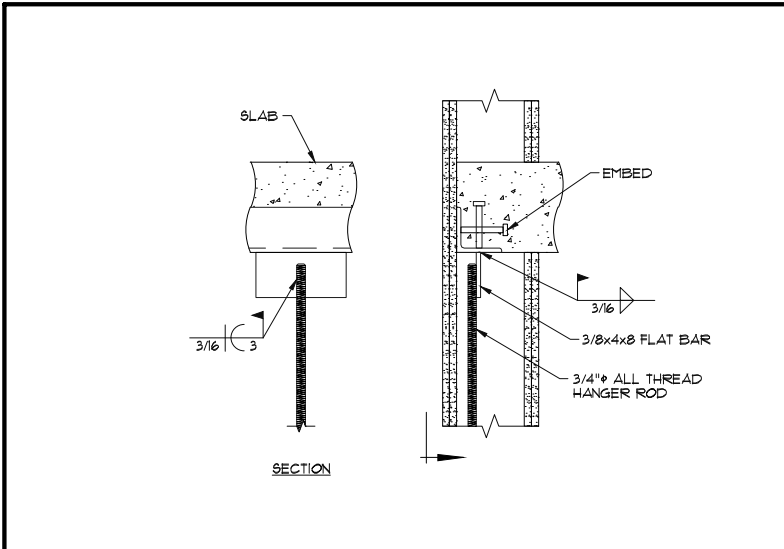
MISC.
L030



PACIFIC STAIR CORPORATION
 8690 Stair Way NE Salem, OR 97305
 www.pacificstair.com 1.503.390.8305

HANGER ROD CONNECTION FROM SIDE OF STRUCTURAL STEEL
 1. SEE L100-L600 FOR LANDING CONSTRUCTION

MISC.
L031



PACIFIC STAIR CORPORATION
 8690 Stair Way NE Salem, OR 97305
 www.pacificstair.com 1.503.390.8305

HANGER ROD CONNECTION TO CONCRETE SLAB WITH EMBED
 1. SEE L100-L600 FOR LANDING CONSTRUCTION

MISC.
L032

L300 SERIES QUIET TREAD LANDING