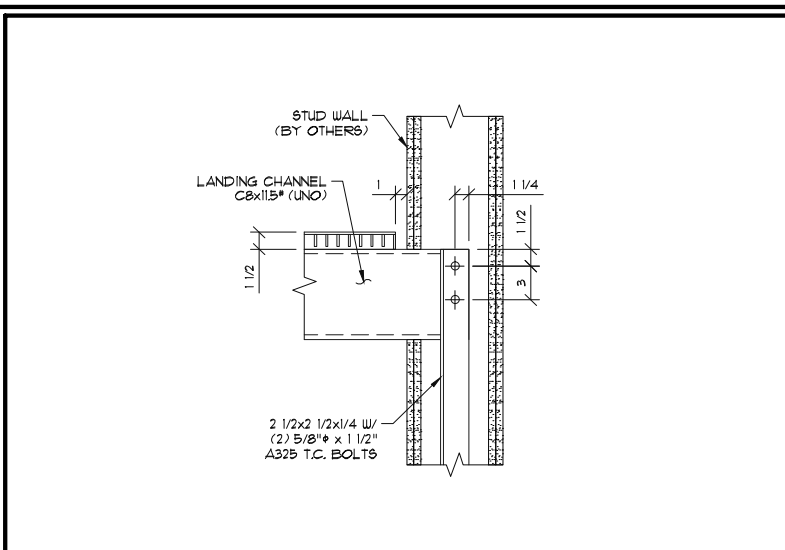


PACIFIC STAIR CORPORATION
 8690 Stair Way NE Salem, OR 97305
 www.pacificstair.com 1 503.390.8305

LANDING CONSTRUCTION
 1. SEE L600 FOR LANDING CONSTRUCTION

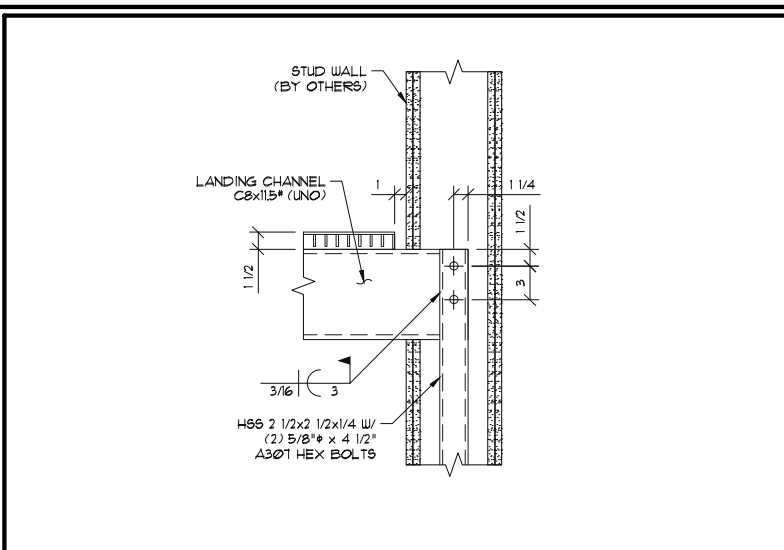
GRATING
L600



PACIFIC STAIR CORPORATION
 8690 Stair Way NE Salem, OR 97305
 www.pacificstair.com 1 503.390.8305

ANGLE POST CONNECTION
 1. SEE L600 FOR LANDING CONSTRUCTION

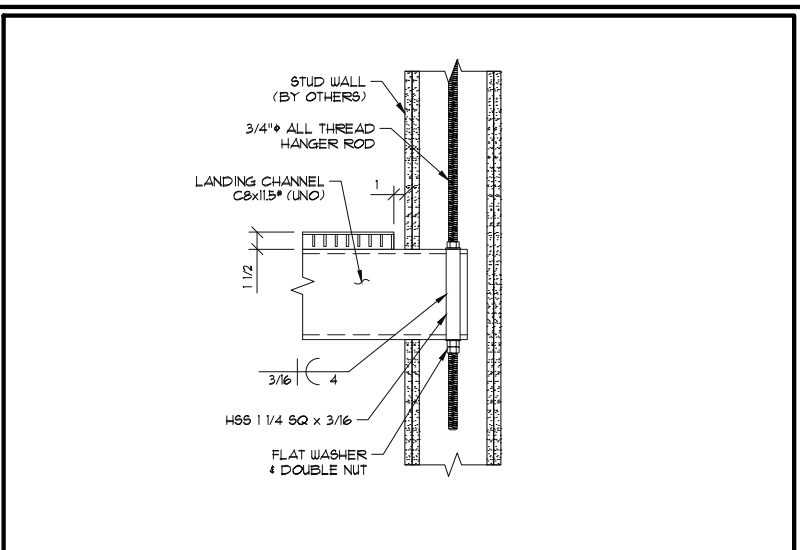
GRATING
L601



PACIFIC STAIR CORPORATION
 8690 Stair Way NE Salem, OR 97305
 www.pacificstair.com 1 503.390.8305

TUBE STEEL POST CONNECTION
 1. SEE L600 FOR LANDING CONSTRUCTION

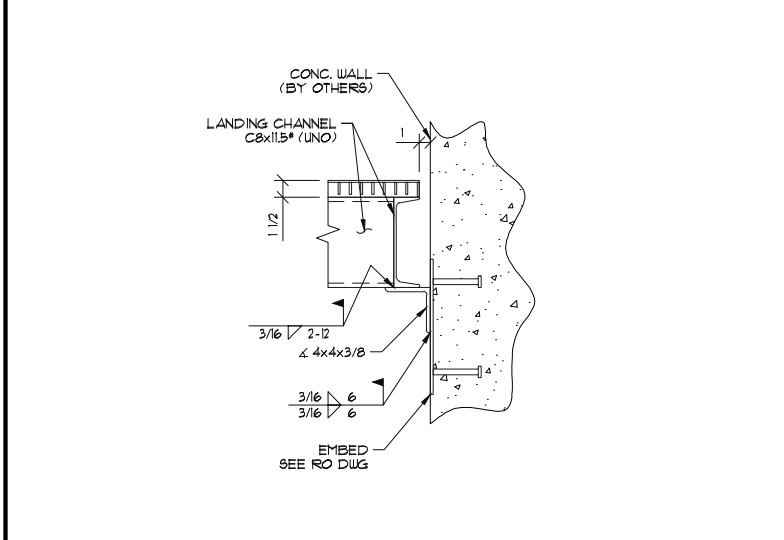
GRATING
L602



PACIFIC STAIR CORPORATION
 8690 Stair Way NE Salem, OR 97305
 www.pacificstair.com 1 503.390.8305

HANGER ROD CONNECTION
 1. SEE L600 FOR LANDING CONSTRUCTION

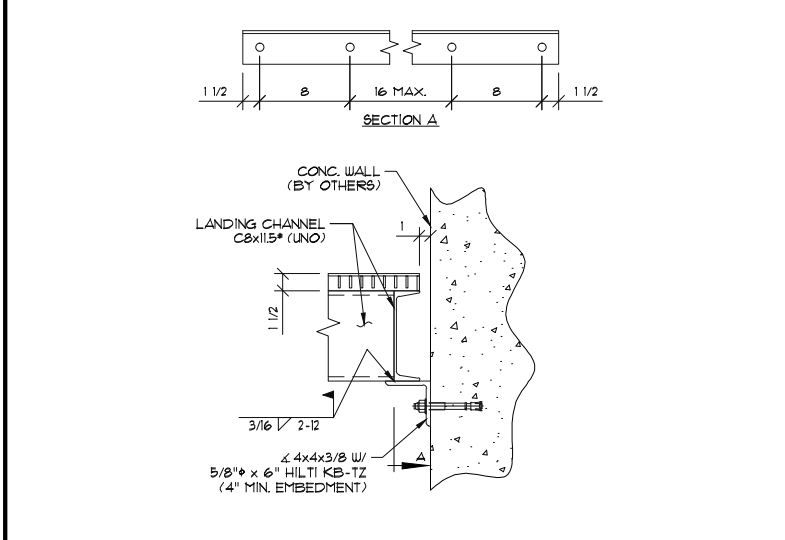
GRATING
L603



PACIFIC STAIR CORPORATION
 8690 Stair Way NE Salem, OR 97305
 www.pacificstair.com 1 503.390.8305

LEDGER ANGLE CONNECTION TO CONCRETE WALL WITH EMBED
 1. SEE L600 FOR LANDING CONSTRUCTION

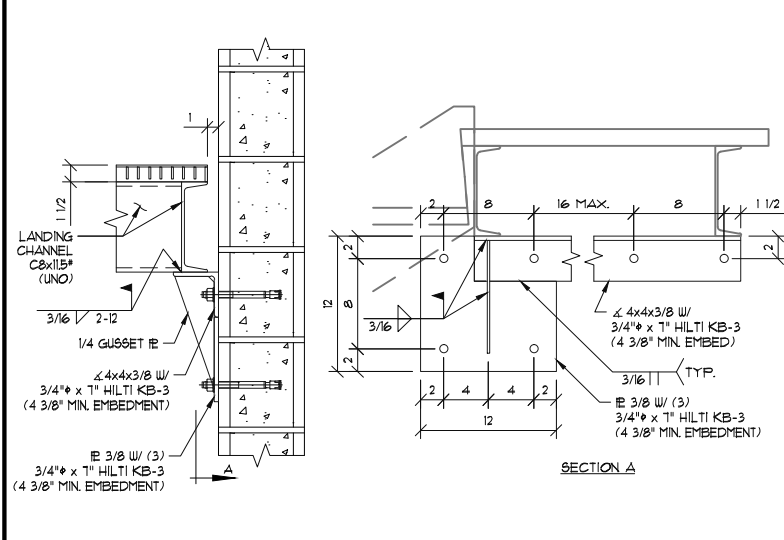
GRATING
L606



PACIFIC STAIR CORPORATION
 8690 Stair Way NE Salem, OR 97305
 www.pacificstair.com 1 503.390.8305

LEDGER ANGLE CONNECTION TO CONCRETE WALL WITH ANCHOR
 1. SEE L600 FOR LANDING CONSTRUCTION

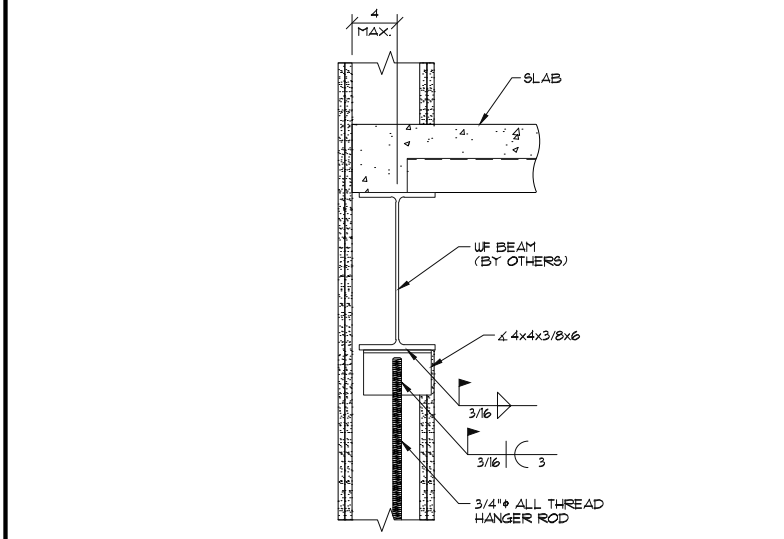
GRATING
L607



PACIFIC STAIR CORPORATION
 8690 Stair Way NE Salem, OR 97305
 www.pacificstair.com 1 503.390.8305

LEDGER ANGLE CONNECTION TO CMU WALL WITH ANCHOR
 1. SEE L600 FOR LANDING CONSTRUCTION
 2. NOTE: HILTI KB3 ANCHORS TO BE INSTALLED PER ICC-ES EVALUATION REPORT ESR-1328

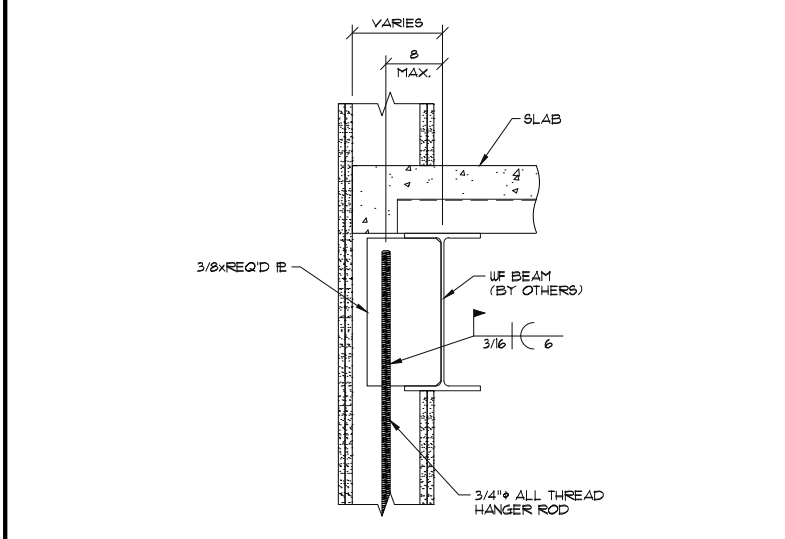
GRATING
L608



PACIFIC STAIR CORPORATION
 8690 Stair Way NE Salem, OR 97305
 www.pacificstair.com 1 503.390.8305

HANGER ROD CONNECTION AT BOTTOM OF STRUCTURAL STEEL
 1. SEE L100-L600 FOR LANDING CONSTRUCTION

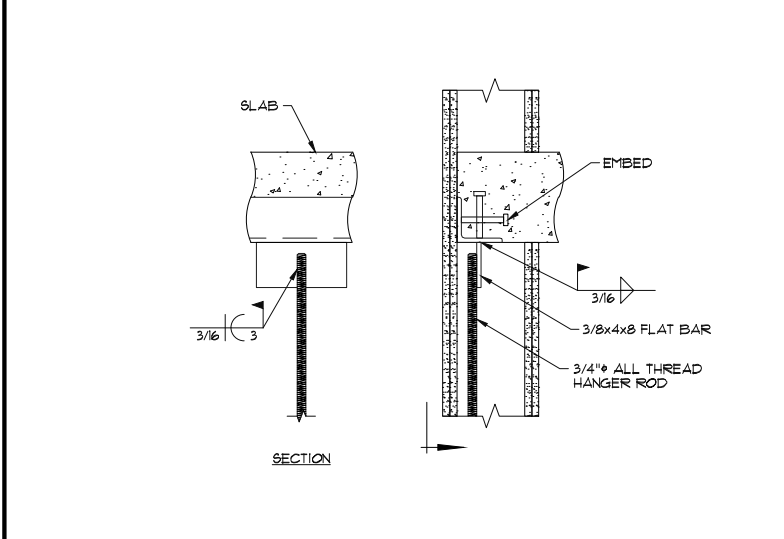
MISC.
L030



PACIFIC STAIR CORPORATION
 8690 Stair Way NE Salem, OR 97305
 www.pacificstair.com 1 503.390.8305

HANGER ROD CONNECTION FROM SIDE OF STRUCTURAL STEEL
 1. SEE L100-L600 FOR LANDING CONSTRUCTION

MISC.
L031



PACIFIC STAIR CORPORATION
 8690 Stair Way NE Salem, OR 97305
 www.pacificstair.com 1 503.390.8305

HANGER ROD CONNECTION TO CONCRETE SLAB WITH EMBED
 1. SEE L100-L600 FOR LANDING CONSTRUCTION

MISC.
L032

L600 SERIES GRATING LANDING