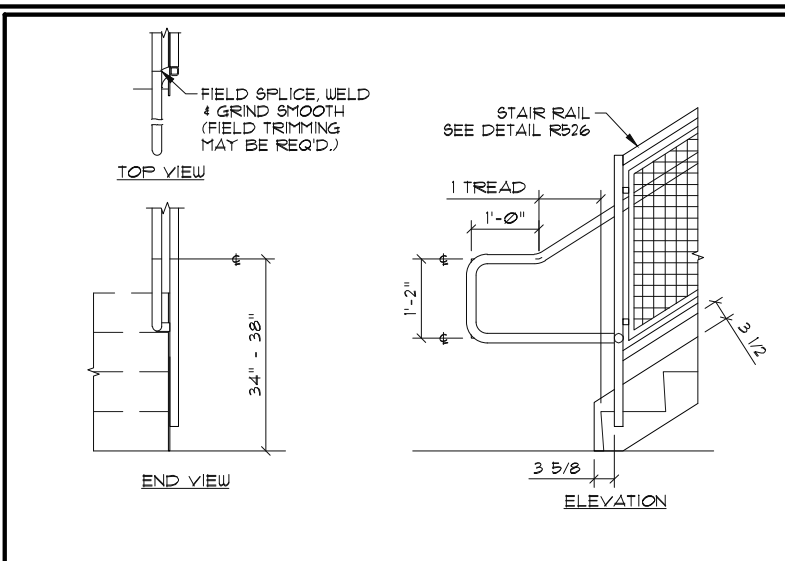


**PACIFIC STAIR CORPORATION**  
 8690 Star Way NE Salem, OR 97305  
 www.pacificstair.com 1 503.390.8305

**STARTER RAIL WITH OUT LEVEL OFF HANDRAIL**  
 1. POST AND TOP LINE MATERIAL TO BE H88 1 1/2" x 1 1/2" x 0.120"  
 2. HANDRAIL MATERIAL TO BE 1 1/2" (1.66" O.D.) PIPE  
 3. PANEL TO BE 8 GA. x 2" SQUARE WIRE MESH

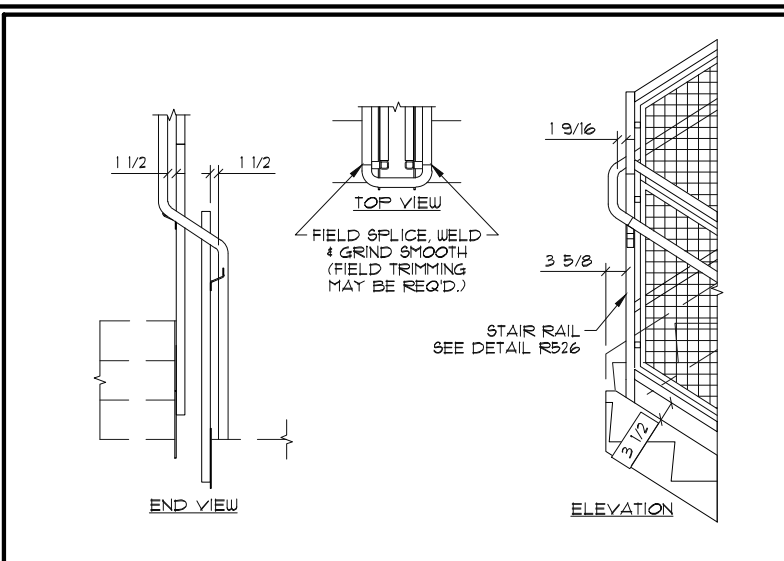
WIRE MESH  
**R511**



**PACIFIC STAIR CORPORATION**  
 8690 Star Way NE Salem, OR 97305  
 www.pacificstair.com 1 503.390.8305

**STARTER RAIL WITH LEVEL OFF HANDRAIL**  
 1. POST AND TOP LINE MATERIAL TO BE H88 1 1/2" x 1 1/2" x 0.120"  
 2. HANDRAIL MATERIAL TO BE 1 1/2" (1.66" O.D.) PIPE  
 3. PANEL TO BE 8 GA. x 2" SQUARE WIRE MESH

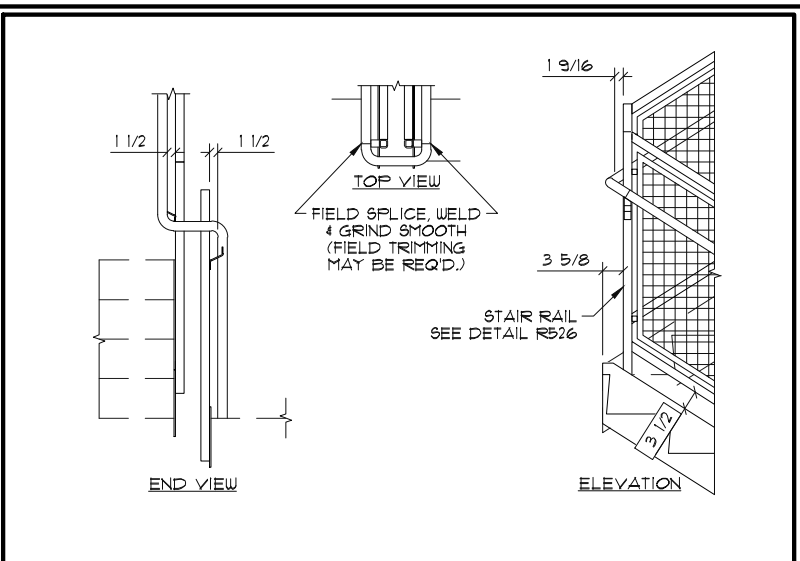
WIRE MESH  
**R517**



**PACIFIC STAIR CORPORATION**  
 8690 Star Way NE Salem, OR 97305  
 www.pacificstair.com 1 503.390.8305

**RAIL WITH STANDARD TOP - STANDARD BOTTOM**  
 1. POST AND TOP LINE MATERIAL TO BE H88 1 1/2" x 1 1/2" x 0.120"  
 2. HANDRAIL MATERIAL TO BE 1 1/2" (1.66" O.D.) PIPE  
 3. PANEL TO BE 8 GA. x 2" SQUARE WIRE MESH

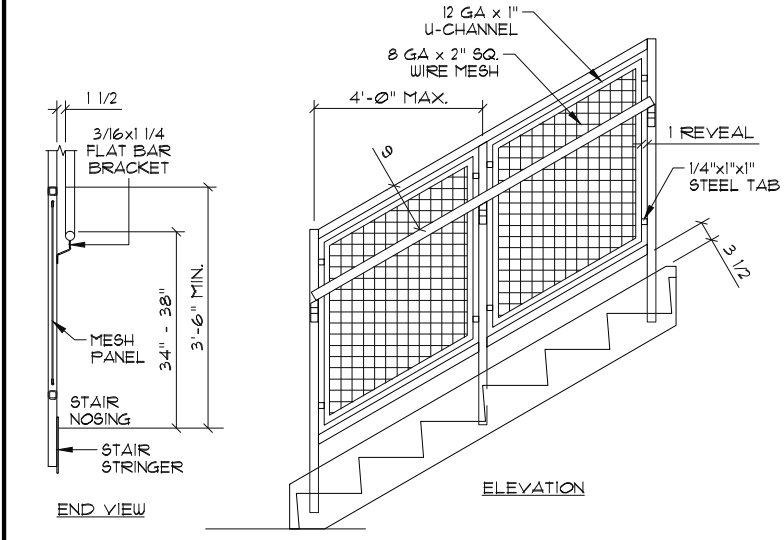
WIRE MESH  
**R520**



**PACIFIC STAIR CORPORATION**  
 8690 Star Way NE Salem, OR 97305  
 www.pacificstair.com 1 503.390.8305

**RAIL WITH STANDARD TOP - EXTENDED BOTTOM**  
 1. POST AND TOP LINE MATERIAL TO BE H88 1 1/2" x 1 1/2" x 0.120"  
 2. HANDRAIL MATERIAL TO BE 1 1/2" (1.66" O.D.) PIPE  
 3. PANEL TO BE 8 GA. x 2" SQUARE WIRE MESH

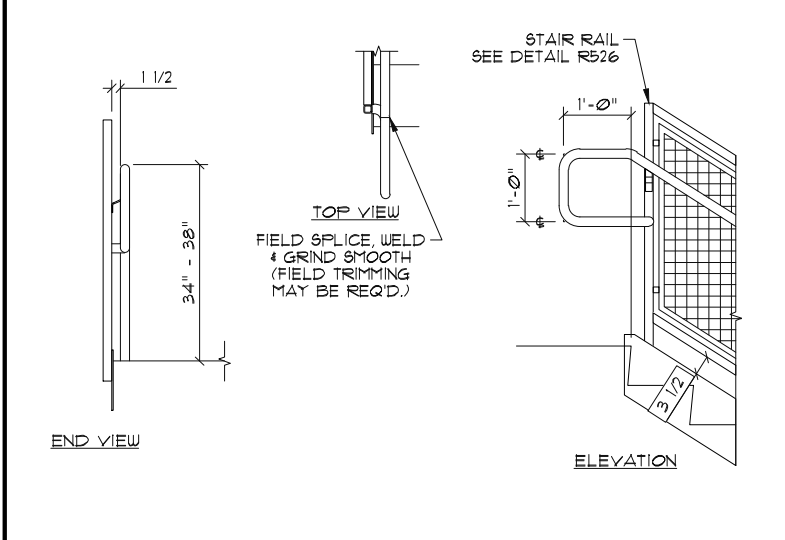
WIRE MESH  
**R521**



**PACIFIC STAIR CORPORATION**  
 8690 Star Way NE Salem, OR 97305  
 www.pacificstair.com 1 503.390.8305

**STAIR RAIL CONSTRUCTION**  
 1. POST AND TOP LINE MATERIAL TO BE H88 1 1/2" x 1 1/2" x 0.120"  
 2. HANDRAIL MATERIAL TO BE 1 1/2" (1.66" O.D.) PIPE  
 3. PANEL TO BE 8 GA. x 2" SQUARE WIRE MESH

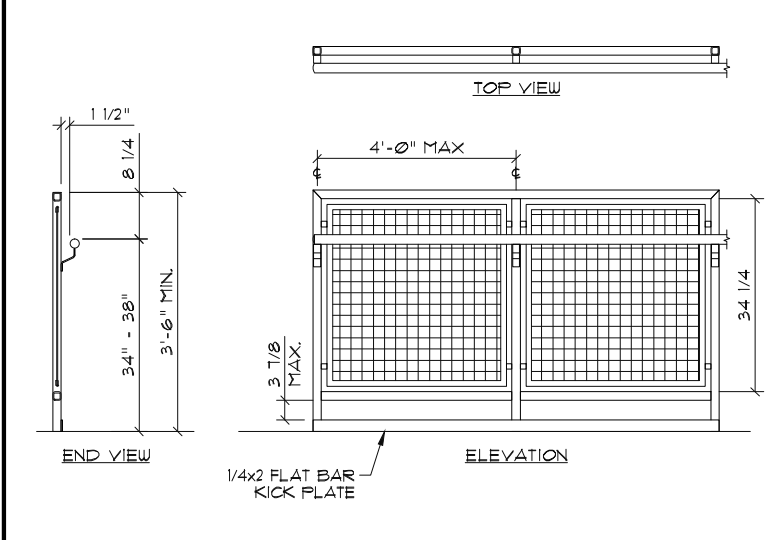
WIRE MESH  
**R526**



**PACIFIC STAIR CORPORATION**  
 8690 Star Way NE Salem, OR 97305  
 www.pacificstair.com 1 503.390.8305

**TOP GUARD RAIL WITH STANDARD HANDRAIL RETURN**  
 1. POST AND TOP LINE MATERIAL TO BE H88 1 1/2" x 1 1/2" x 0.120"  
 2. HANDRAIL MATERIAL TO BE 1 1/2" (1.66" O.D.) PIPE  
 3. PANEL TO BE 8 GA. x 2" SQUARE WIRE MESH

WIRE MESH  
**R531**



**PACIFIC STAIR CORPORATION**  
 8690 Star Way NE Salem, OR 97305  
 www.pacificstair.com 1 503.390.8305

**STANDARD GUARD RAIL WITH HANDRAIL**  
 1. POST AND TOP LINE MATERIAL TO BE H88 1 1/2" x 1 1/2" x 0.120"  
 2. HANDRAIL MATERIAL TO BE 1 1/2" (1.66" O.D.) PIPE  
 3. PANEL TO BE 8 GA. x 2" SQUARE WIRE MESH

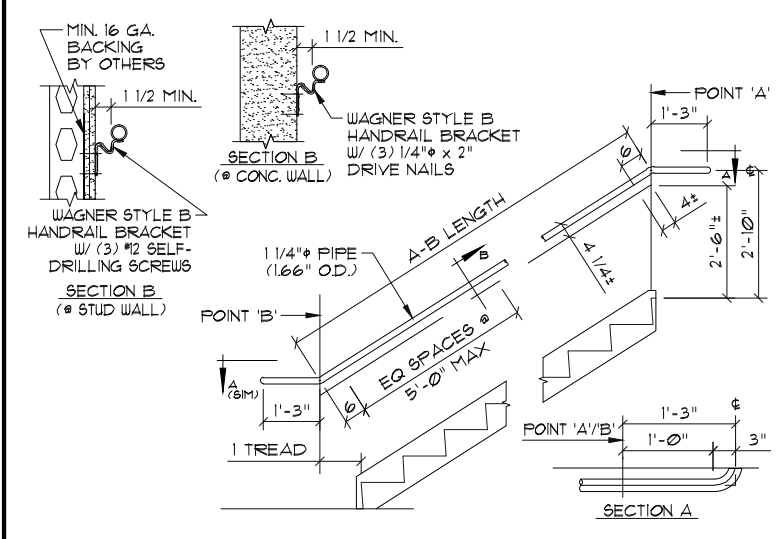
WIRE MESH  
**R537**



**PACIFIC STAIR CORPORATION**  
 8690 Star Way NE Salem, OR 97305  
 www.pacificstair.com 1 503.390.8305

**RAIL WITH STANDARD TOP - EXTENDED BOTTOM**  
 1. POST AND TOP LINE MATERIAL TO BE H88 1 1/2" x 1 1/2" x 0.120"  
 2. HANDRAIL MATERIAL TO BE 1 1/2" (1.66" O.D.) PIPE  
 3. PANEL TO BE 8 GA. x 2" SQUARE WIRE MESH

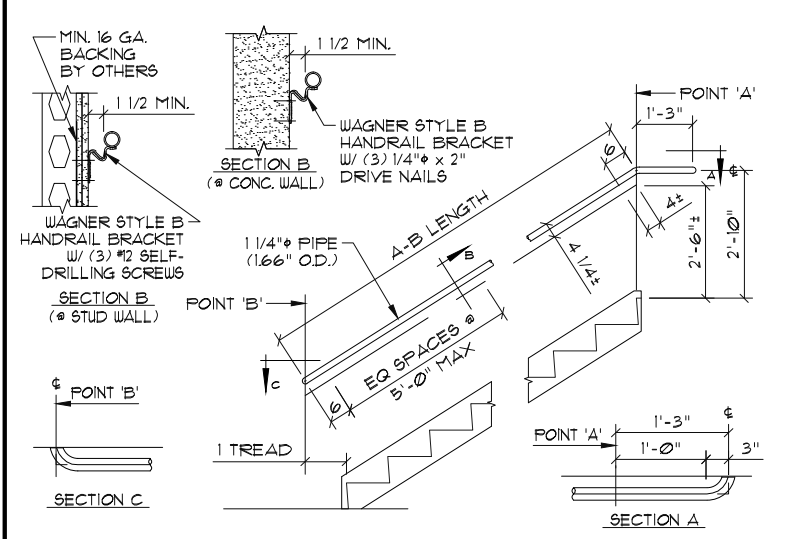
WIRE MESH  
**R522**



**PACIFIC STAIR CORPORATION**  
 8690 Star Way NE Salem, OR 97305  
 www.pacificstair.com 1 503.390.8305

**WALL RAIL WITH BOTTOM LEVEL OFF**  
 1. HANDRAIL TO BE 1 1/2" (1.66" O.D.) PIPE  
 2. STANDARD WAGNER STYLE B HANDRAIL BRACKET

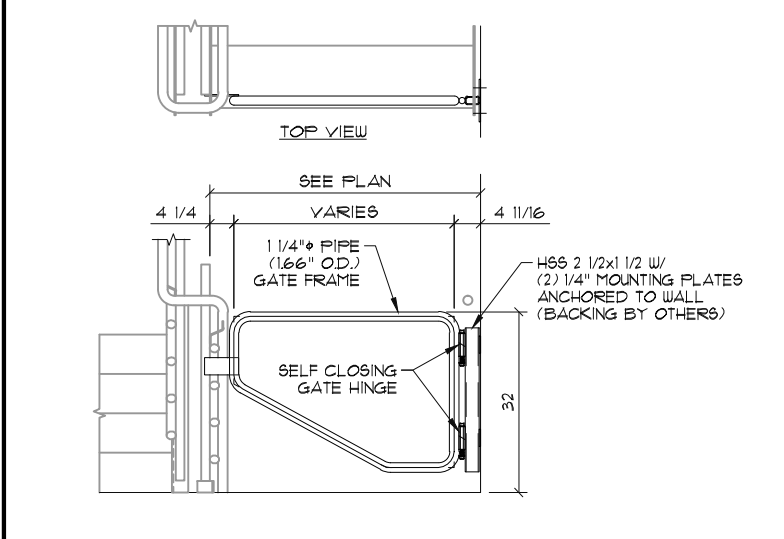
MISC.  
**R001**



**PACIFIC STAIR CORPORATION**  
 8690 Star Way NE Salem, OR 97305  
 www.pacificstair.com 1 503.390.8305

**WALL RAIL WITH OUT BOTTOM LEVEL OFF**  
 1. HANDRAIL TO BE 1 1/2" (1.66" O.D.) PIPE  
 2. STANDARD WAGNER STYLE B HANDRAIL BRACKET

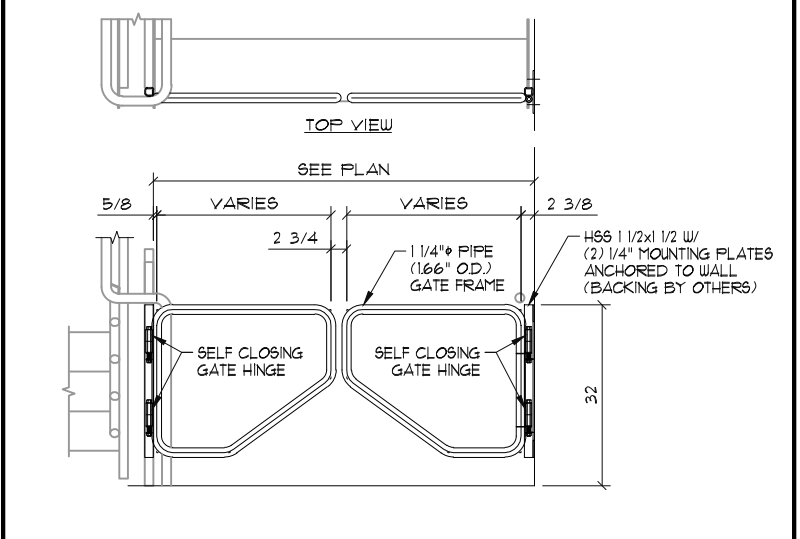
MISC.  
**R002**



**PACIFIC STAIR CORPORATION**  
 8690 Star Way NE Salem, OR 97305  
 www.pacificstair.com 1 503.390.8305

**SINGLE SWING GATE**  
 1. GATE MATERIAL TO BE 1 1/2" (1.66" O.D.) PIPE

MISC.  
**R003**



**PACIFIC STAIR CORPORATION**  
 8690 Star Way NE Salem, OR 97305  
 www.pacificstair.com 1 503.390.8305

**DOUBLE SWING GATE**  
 1. GATE MATERIAL TO BE 1 1/2" (1.66" O.D.) PIPE

MISC.  
**R004**

# R500 SERIES WIRE MESH RAIL