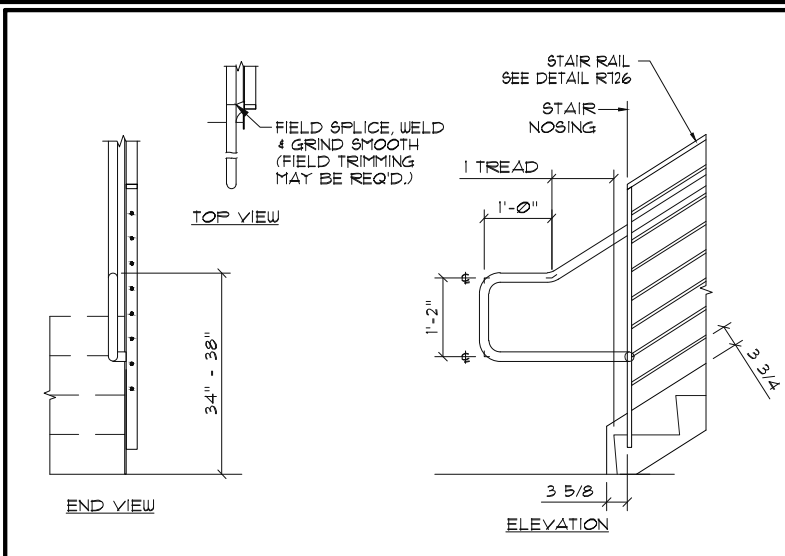


PACIFIC STAIR CORPORATION
 8690 Stair Way NE Salem, OR 97305
 www.pacificstair.com 1.503.390.8305

STARTER RAIL WITH OUT LEVEL OFF HANDRAIL
 1. POST AND TOP LINE MATERIAL TO BE 3/4" x 2" FLAT BAR
 2. HANDRAIL MATERIAL TO BE 1 1/2" (1.66" O.D.) PIPE
 3. ROD MATERIAL TO BE 1/2" ROUND BAR

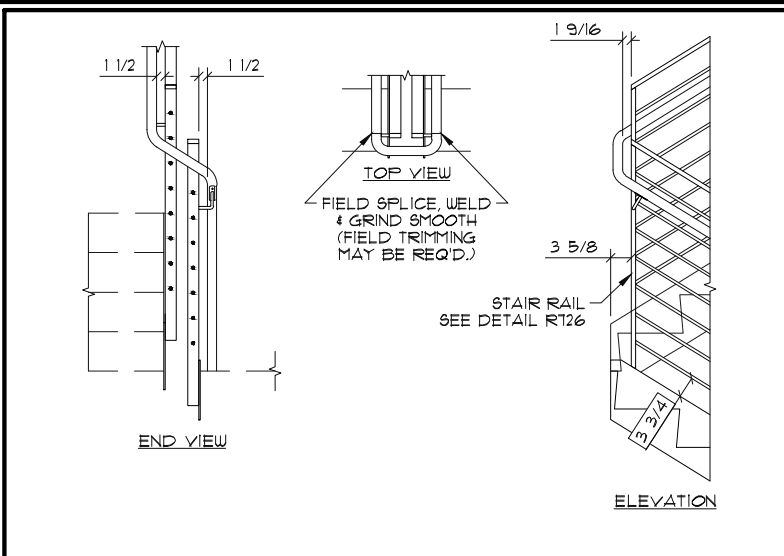
ROD R711



PACIFIC STAIR CORPORATION
 8690 Stair Way NE Salem, OR 97305
 www.pacificstair.com 1.503.390.8305

STARTER RAIL WITH LEVEL OFF HANDRAIL
 1. POST AND TOP LINE MATERIAL TO BE 3/4" x 2" FLAT BAR
 2. HANDRAIL MATERIAL TO BE 1 1/2" (1.66" O.D.) PIPE
 3. ROD MATERIAL TO BE 1/2" ROUND BAR

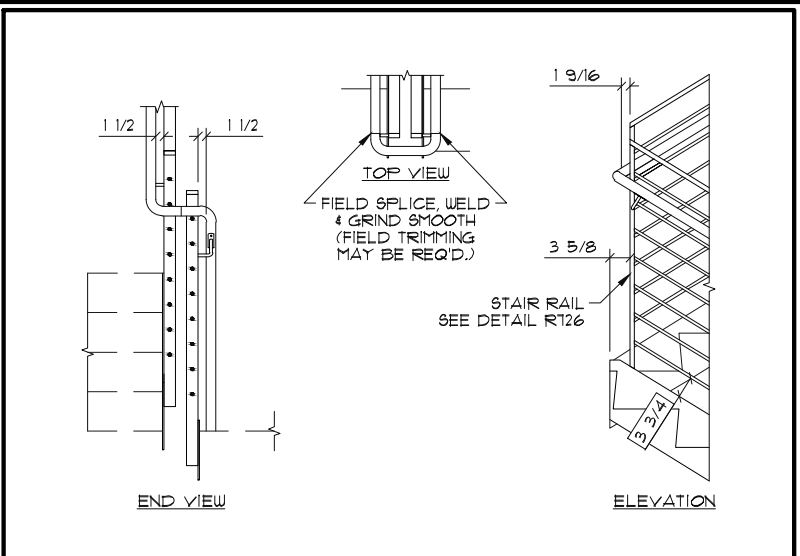
ROD R717



PACIFIC STAIR CORPORATION
 8690 Stair Way NE Salem, OR 97305
 www.pacificstair.com 1.503.390.8305

RAIL WITH STANDARD TOP - STANDARD BOTTOM
 1. POST AND TOP LINE MATERIAL TO BE 3/4" x 2" FLAT BAR
 2. HANDRAIL MATERIAL TO BE 1 1/2" (1.66" O.D.) PIPE
 3. ROD MATERIAL TO BE 1/2" ROUND BAR

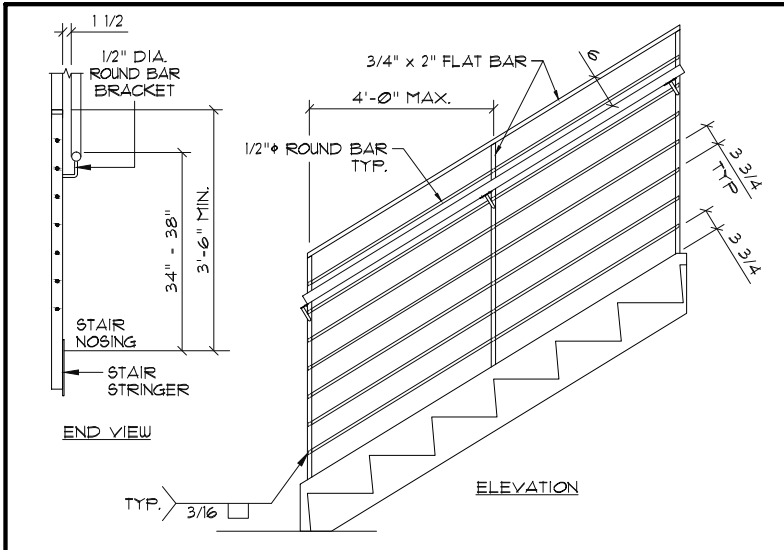
ROD R720



PACIFIC STAIR CORPORATION
 8690 Stair Way NE Salem, OR 97305
 www.pacificstair.com 1.503.390.8305

RAIL AT STANDARD TOP - EXTENDED BOTTOM
 1. POST AND TOP LINE MATERIAL TO BE 3/4" x 2" FLAT BAR
 2. HANDRAIL MATERIAL TO BE 1 1/2" (1.66" O.D.) PIPE
 3. ROD MATERIAL TO BE 1/2" ROUND BAR

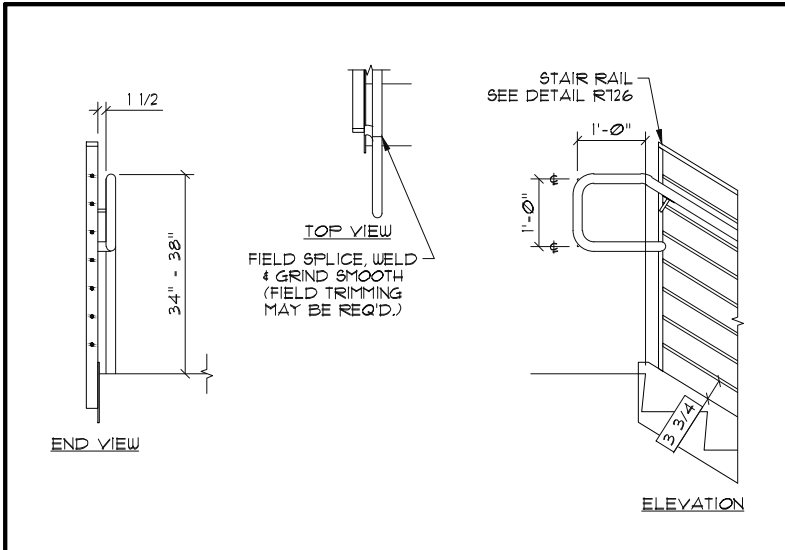
ROD R721



PACIFIC STAIR CORPORATION
 8690 Stair Way NE Salem, OR 97305
 www.pacificstair.com 1.503.390.8305

STAIR RAIL CONSTRUCTION
 1. POST AND TOP LINE MATERIAL TO BE 3/4" x 2" FLAT BAR
 2. HANDRAIL MATERIAL TO BE 1 1/2" (1.66" O.D.) PIPE
 3. ROD MATERIAL TO BE 1/2" ROUND BAR

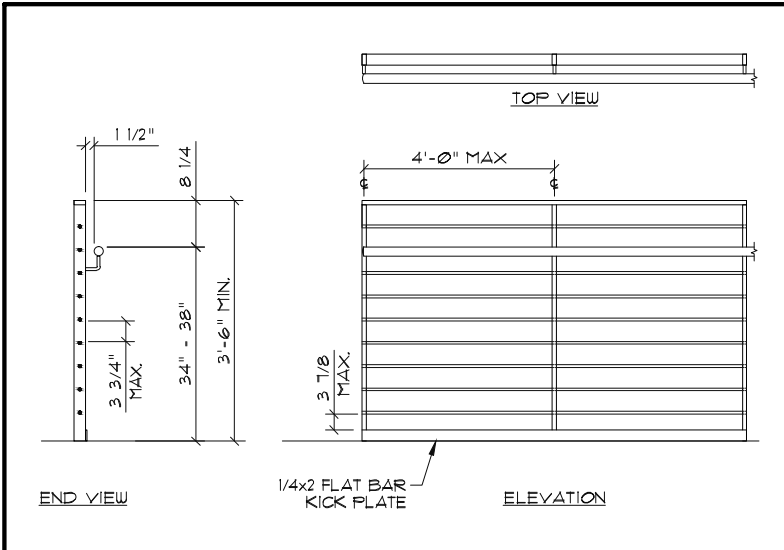
ROD R726



PACIFIC STAIR CORPORATION
 8690 Stair Way NE Salem, OR 97305
 www.pacificstair.com 1.503.390.8305

TOP GUARD RAIL WITH STANDARD HANDRAIL RETURN
 1. POST AND TOP LINE MATERIAL TO BE 3/4" x 2" FLAT BAR
 2. HANDRAIL MATERIAL TO BE 1 1/2" (1.66" O.D.) PIPE
 3. ROD MATERIAL TO BE 1/2" ROUND BAR

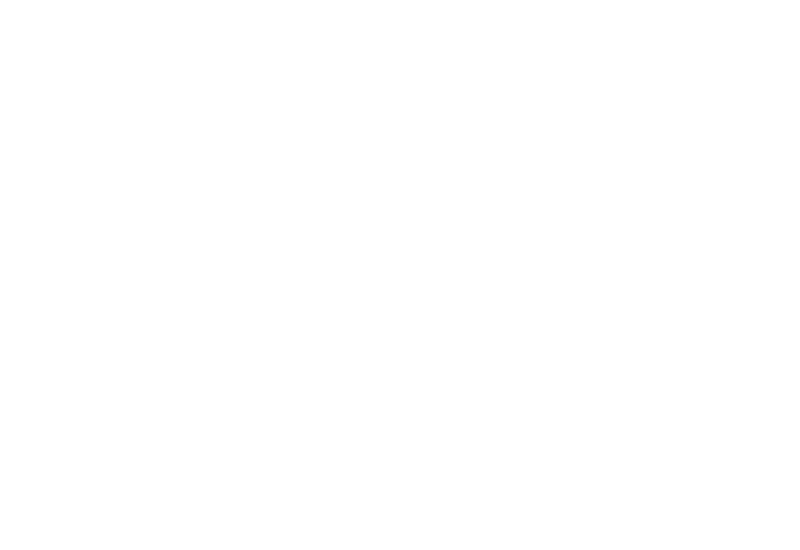
ROD R731



PACIFIC STAIR CORPORATION
 8690 Stair Way NE Salem, OR 97305
 www.pacificstair.com 1.503.390.8305

STANDARD GUARD RAIL WITH HANDRAIL
 1. POST AND TOP LINE MATERIAL TO BE 3/4" x 2" FLAT BAR
 2. HANDRAIL MATERIAL TO BE 1 1/2" (1.66" O.D.) PIPE
 3. ROD MATERIAL TO BE 1/2" ROUND BAR

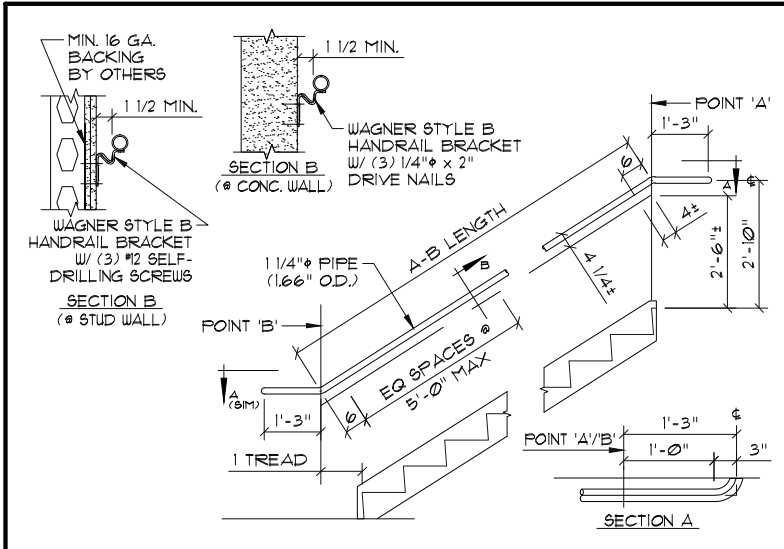
ROD R737



PACIFIC STAIR CORPORATION
 8690 Stair Way NE Salem, OR 97305
 www.pacificstair.com 1.503.390.8305

STANDARD GUARD RAIL WITH HANDRAIL
 1. POST AND TOP LINE MATERIAL TO BE 3/4" x 2" FLAT BAR
 2. HANDRAIL MATERIAL TO BE 1 1/2" (1.66" O.D.) PIPE
 3. ROD MATERIAL TO BE 1/2" ROUND BAR

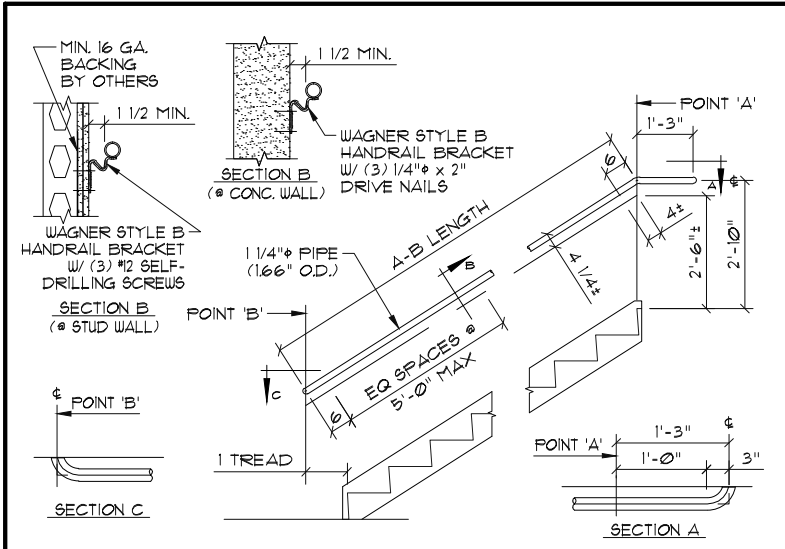
ROD R720



PACIFIC STAIR CORPORATION
 8690 Stair Way NE Salem, OR 97305
 www.pacificstair.com 1.503.390.8305

WALL RAIL WITH BOTTOM LEVEL OFF
 1. HANDRAIL TO BE 1 1/2" (1.66" O.D.) PIPE
 2. STANDARD WAGNER STYLE B HANDRAIL BRACKET

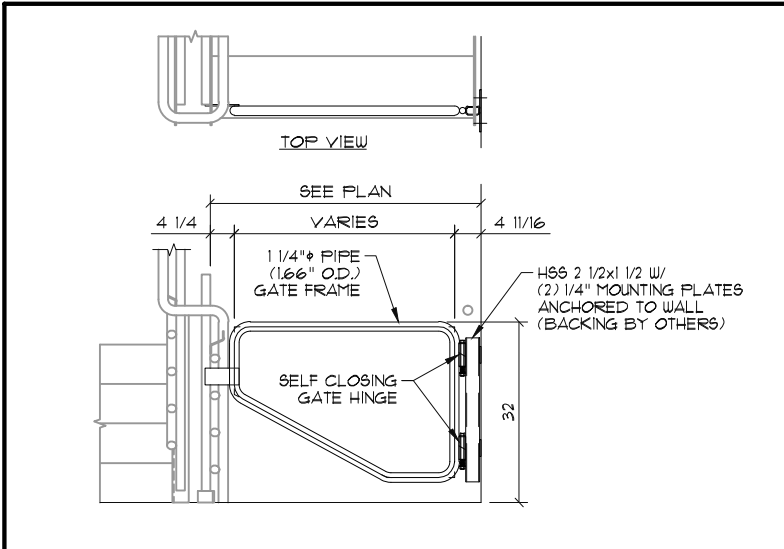
MISC. R001



PACIFIC STAIR CORPORATION
 8690 Stair Way NE Salem, OR 97305
 www.pacificstair.com 1.503.390.8305

WALL RAIL WITH OUT BOTTOM LEVEL OFF
 1. HANDRAIL TO BE 1 1/2" (1.66" O.D.) PIPE
 2. STANDARD WAGNER STYLE B HANDRAIL BRACKET

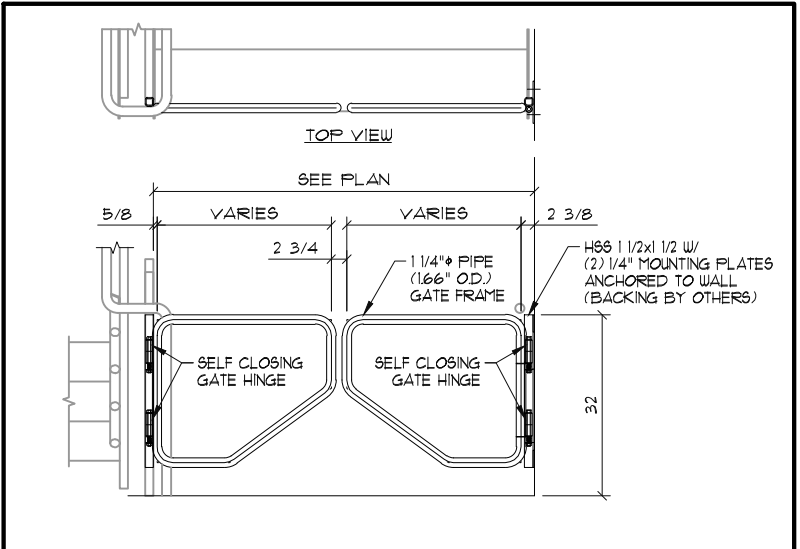
MISC. R002



PACIFIC STAIR CORPORATION
 8690 Stair Way NE Salem, OR 97305
 www.pacificstair.com 1.503.390.8305

SINGLE SWING GATE
 1. GATE MATERIAL TO BE 1 1/2" (1.66" O.D.) PIPE

MISC. R003



PACIFIC STAIR CORPORATION
 8690 Stair Way NE Salem, OR 97305
 www.pacificstair.com 1.503.390.8305

DOUBLE SWING GATE
 1. GATE MATERIAL TO BE 1 1/2" (1.66" O.D.) PIPE

MISC. R004

R700 SERIES ROD RAIL